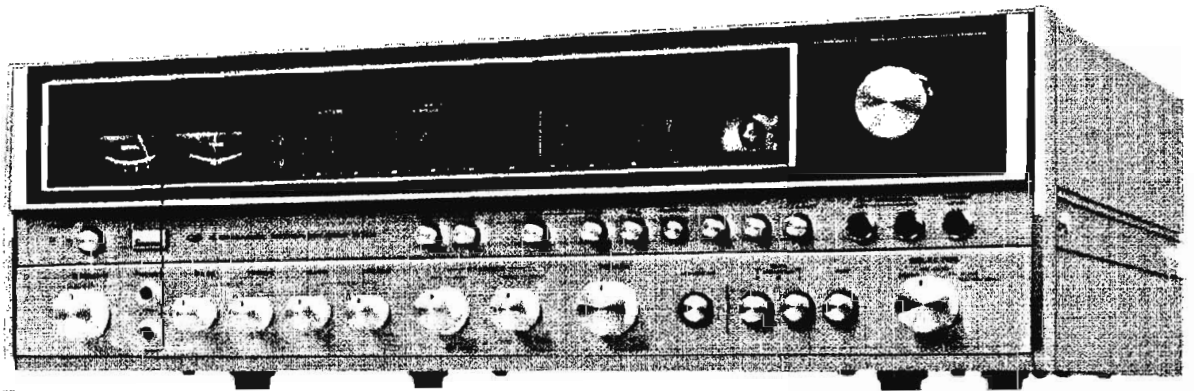


# SERVICE MANUAL

## 4-CHANNEL RECEIVER **SANSUI QRX-7001**



*Sansui*

SANSUI ELECTRIC CO., LTD.

This service manual is designed for service engineers to repair, adjust, maintain and order the replacement parts of the QRX-7001 correctly. When ordering the parts, use the stock number and parts name specifically referring to the Parts Locations & Parts Lists. For general usage and maintenance of the unit, please refer to the Operating Instructions attached with the unit.

## TABLE OF CONTENTS

| <u>Section</u>                          | <u>Title</u>   | <u>Page</u>   | <u>Section</u>                                       | <u>Title</u>  | <u>Page</u>       |
|---|--|---------------|--|---|-------------------|
| <b>1. SPECIFICATIONS</b>                |  | <b>2</b>      |  |   |                   |
| <b>2. BLOCK DIAGRAM</b>                 |  | <b>3, 4</b>   |  |   |                   |
| <b>3. ALIGNMENTS AND ADJUSTMENTS</b>    |  | <b>5</b>      |  |   |                   |
| 3-1.                                    | Driver Circuit Board Adjustment                        | <b>5, 6</b>   | 6-5.   | F-2431 Power Supply Circuit Board for Tuner Section | <b>17</b>         |
| 3-2.                                    | FM IF Alignment  | <b>6</b>      | 6-6.   | F-2436A Driver Circuit Board                        | <b>18</b>         |
| 3-3.                                    | FM Dial Calibration and RF Alignment                   | <b>7</b>      | 6-7.   | F-2090 CD-4 Sub Channel Circuit Board               | <b>19, 20</b>     |
| 3-4.                                    | FM Signal Meter, Mono Distortion and Muting Adjustment | <b>7, 8</b>   | 6-8.   | F-2086 CD-4 Main Circuit Board                      | <b>21</b>         |
| 3-5.                                    | MPX Alignment  | <b>8</b>      | 6-9.   | F-2087 QS Matrix Circuit Board                      | <b>21</b>         |
| 3-6.                                    | AM IF, Dial Calibration, RF and Signal Meter Alignment | <b>9, 10</b>  | 6-10.  | F-2088 QS Phase Control Circuit Board               | <b>22</b>         |
| <b>4. THREADING OF DIAL CORD</b>        |  | <b>11</b>     | 6-11.  | F-1461A Protector Circuit Board                     | <b>22</b>         |
| <b>5. TROUBLESHOOTING CHART</b>         |  | <b>12</b>     | 6-12.  | F-2427 Power Circuit Board                          | <b>23</b>         |
| 5-1.                                    | Troubleshooting on Power Supply Section                | <b>12</b>     | 6-13.  | F-2428 Filter & Power Supply Circuit Board          | <b>23</b>         |
| 5-2.                                    | Troubleshooting on Main Circuit Section                | <b>12</b>     | 6-14.  | F-2423 Filter & Switch Circuit Board                | <b>23</b>         |
| 5-3.                                    | Troubleshooting on Tone Control Circuit Section        | <b>12</b>     | 6-15.  | Interchangeability of Transistor and Diode          | <b>24</b>         |
| 5-4.                                    | Troubleshooting on Phono Circuit Section               | <b>12</b>     | 6-16.  | Other Parts (Top Side)                              | <b>24</b>         |
| 5-5.                                    | Troubleshooting on Tuner Circuit Section               | <b>13</b>     | 6-17.  | Other Parts (Bottom Side)                           | <b>24</b>         |
| <b>6. PARTS LOCATION AND PARTS LIST</b> |  | <b>14</b>     | 6-18.  | Other Parts (Front Side) Section 1                  | <b>25</b>         |
| 6-1.                                    | F-1519C FM Frontend Pack                               | <b>14</b>     | 6-19.  | Other Parts (Front Side) Section 2                  | <b>26</b>         |
| 6-2.                                    | F-1507C Tuner Circuit Board                            | <b>15, 16</b> | <b>7. SCHEMATIC DIAGRAM OF TUNER SECTION</b>         |   | <b>27</b>         |
| 6-3.                                    | F-2458 Equalizer Circuit Board                         | <b>17</b>     | <b>8. SCHEMATIC DIAGRAM OF AUDIO SECTION</b>         |   | <b>28</b>         |
| 6-4.                                    | F-2425 Tone Control Circuit Board                      | <b>17</b>     | <b>9. SCHEMATIC DIAGRAM OF 4-CH SECTION</b>          |   | <b>29</b>         |
|   |  |               | <b>10. SCHEMATIC DIAGRAM OF POWER SUPPLY SECTION</b> |   | <b>30</b>         |
|   |  |               | <b>11. PACKING LIST</b>                              |   | <b>back cover</b> |
|   |  |               | <b>12. ACCESSORY PARTS LIST</b>                      |   | <b>back cover</b> |

# 1. SPECIFICATIONS

## AUDIO SECTION

|   |  |
|---|--|
| <b>CONTINUOUS RMS POWER OUTPUT</b>  |  |
| .....   | 35W per channel x 4<br>(four channels driven)                                |
| <b>LOAD IMPEDANCE</b> .....   | 8Ω   |
| <b>POWER BAND</b> .....   | 20 to 20,000Hz   |
| <b>TOTAL HARMONIC DISTORTION</b>  |  |
| .....   | less than 0.4% (from AUX)  |
| <b>Music power(IHF)</b> .....   | 280W (4Ω 1,000Hz)<br>220W (8Ω 1,000Hz)                                       |
| <b>Continuous rms power output</b> .....  | 45W x 4 (8Ω 1,000Hz)<br>45W x 2 (two channels driven,<br>8Ω 1,000Hz)         |
| <b>INTERMODULATION DISTORTION</b> (at rated power output 70Hz:7,000Hz=4:1 SMPTE method) |  |
| .....   | less than 0.4% (from AUX)  |
| <b>FREQUENCY RESPONSE</b> (at 1 Watt output)  |  |
| .....   | 15 to 30,000Hz ±1dB  |
| <b>EQUALIZATION</b> .....(RIAA curve)   |  |
| .....   | 30 to 15,000Hz ±1dB  |
| <b>DAMPING FACTOR</b> .....   | 10 (8Ω)  |
| <b>INPUT SENSITIVITY AND IMPEDANCE</b> (1,000Hz, for rated output)                      |  |
| <b>2-CHANNEL PHONO</b> .....  | 2.5mV 50KΩ<br>(max. input capability; more than 150mV<br>at 0.5% distortion) |
| <b>4-CH./2-CH. AUX</b> .....  | 100mV 50KΩ   |
| <b>4-CH./2-CH. TAPE-1</b>   |  |
| <b>PLAY Pin Jacks</b> .....   | 100mV 50KΩ   |
| <b>REC/PLAY DIN Socket</b> ..   | 100mV 50KΩ   |
| <b>4-CH./2-CH. TAPE-2</b>   |  |
| <b>PLAY Pin Jacks</b> .....   | 100mV 50KΩ   |
| <b>RECORDING OUTPUT</b>   |  |
| <b>4-CH./2-CH. TAPE-1</b>   |  |
| <b>REC Pin Jacks</b> .....  | 100mV  |
| <b>REC/PLAY DIN Socket</b> ..   | 30mV   |
| <b>4-CH./2-CH. TAPE-2</b>   |  |
| <b>REC Pin Jacks</b> .....  | 100mV  |
| <b>CHANNEL SEPARATION</b> (at 1,000Hz)  |  |
| <b>2-CH. PHONO</b> .....  | better than 50dB   |
| <b>4-CH./2-CH. AUX</b> .....  | better than 50dB   |
| <b>HUM AND NOISE</b> (IHF)  |  |
| <b>2-CH. PHONO</b> .....  | better than 70dB   |
| <b>4-CH./2-CH. AUX</b> .....  | better than 80dB   |
| <b>SWITCHES AND CONTROLS</b>  |  |
| <b>BASS</b> .....   | +10dB, -10dB, at 50Hz  |
| <b>TREBLE</b> .....   | +10dB, -10dB, at 10,000Hz  |
| <b>LOUDNESS</b> .....   | +8dB at 50Hz<br>+3dB at 10,000Hz   |
| <b>FILTERS</b>  |  |
| <b>LOW</b> (front & back) .....   | -10dB at 50Hz (6dB/oct.)   |
| <b>HIGH</b> (front & back) .....  | -10dB at 10,000Hz<br>(6dB/oct.)  |
| <b>QS SYNTHESIZER/DECODER</b>   |  |
| .....   | QS regular matrix system<br>with QS Vario-Matrix circuit                     |
| <b>CD-4 DEMODULATOR</b>   |  |
| <b>Input Sensitivity</b> .....  | 2.5mV (1 to 10mV<br>adjustable)  |

|  |                                  |
|--|----------------------------------|
| <b>Input Impedance</b> .....                                   | 50KΩ                             |
| <b>Separation</b> (standard test signal at 1,000Hz)            |                                  |
| <b>Left to Right</b> .....                                     | 40dB                             |
| <b>Front to Back</b> .....                                     | 25dB                             |
| <b>Frequency Response</b> (standard test signal at REC output) |                                  |
| .....  | 30 to 15,000Hz<br>(main-channel) |

## TUNER SECTION

|                                       |   |
|---------------------------------------|---|
| <FM>                                  |   |
| <b>TUNING RANGE</b> .....             | 88 to 108MHz                                      |
| <b>SENSITIVITY</b> (IHF) .....        | 1.9μV<br>(max. input capability: more than 120dB) |
| <b>TOTAL HARMONIC DISTORTION</b>      |   |
| <b>MONO</b> .....                     | less than 0.3%                                    |
| <b>STEREO</b> .....                   | less than 0.5%                                    |
| <b>SIGNAL TO NOISE RATIO</b> (mono)   |   |
| .....                                 | better than 70dB                                  |
| <b>SELECTIVITY</b> .....              | better than 70dB                                  |
| <b>CAPTURE RATIO</b> (IHF) .....      | less than 1.5dB                                   |
| <b>IMAGE REJECTION</b> .....          | better than 75dB                                  |
| <b>IF REJECTION</b> .....             | better than 90dB                                  |
| <b>SPURIOUS RESPONSE</b> .....        | better than 80dB                                  |
| <b>STEREO SEPARATION</b> (at 1,000Hz) |   |
| .....                                 | better than 40dB                                  |
| <b>FREQUENCY RESPONSE</b> .....       | 30 to 15,000Hz <sup>+0.5</sup> <sub>-3.0</sub> dB |
| <b>FM DE-EMPHASIS</b> .....           | 50μS, 75μS  |
| <b>ANTENNA INPUT IMPEDANCE</b>        |   |
| .....                                 | 300Ω Balanced,<br>75Ω Unbalanced                  |

## <AM>

|                                     |                    |
|-------------------------------------|--------------------|
| <b>TUNING RANGE</b> .....           | 535 to 1,605KHz    |
| <b>SENSITIVITY</b> (bar antenna) .. | 53dB/m             |
| <b>SELECTIVITY</b> .....            | better than 30dB   |
| <b>IMAGE REJECTION</b> .....        | better than 80dB/m |
| <b>IF REJECTION</b> .....           | better than 80dB/m |

## OTHERS

### SEMICONDUCTORS

|                           |     |
|---------------------------|-----|
| <b>Transistors</b> .....  | 107 |
| <b>FETs</b> .....         | 9   |
| <b>Diodes</b> .....       | 56  |
| <b>Zener Diodes</b> ..... | 8   |
| <b>ICs</b> .....          | 9   |

### POWER REQUIREMENTS

|                          |                             |
|--------------------------|-----------------------------|
| <b>Voltage</b> .....     | 100, 117, 220, 240V 50/60Hz |
| <b>Consumption</b> ..... | 220W (rated)                |

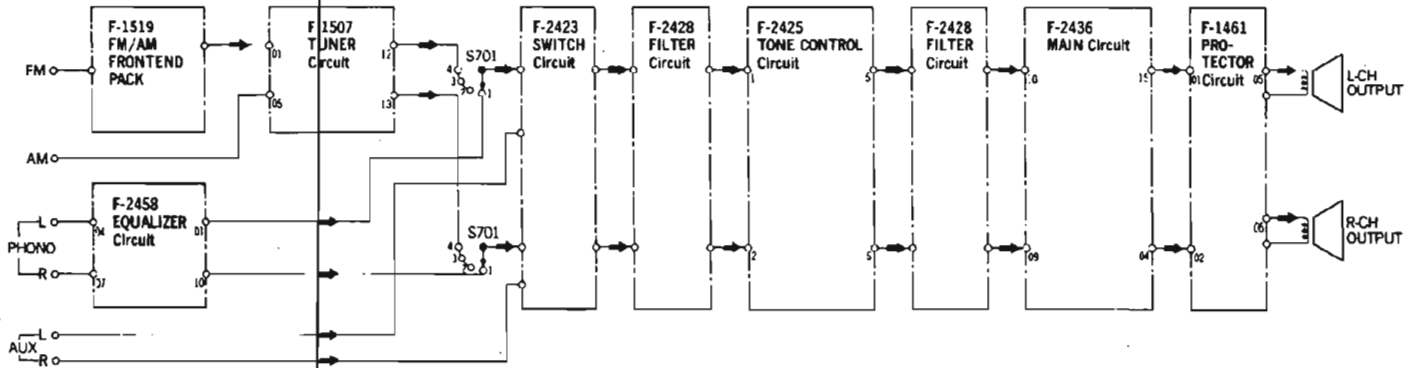
|                         |  |
|-------------------------|--|
| <b>DIMENSIONS</b> ..... | 540mm (21 <sup>5</sup> / <sub>16</sub> " W.<br>161mm (6 <sup>3</sup> / <sub>8</sub> " H<br>403mm (15 <sup>7</sup> / <sub>8</sub> " D |
|-------------------------|--|

|                     |  |
|---------------------|--|
| <b>WEIGHT</b> ..... | 23.8 Kg (52.5 lbs) net,<br>26.5 Kg (58.4 lbs) packed |
|---------------------|--|

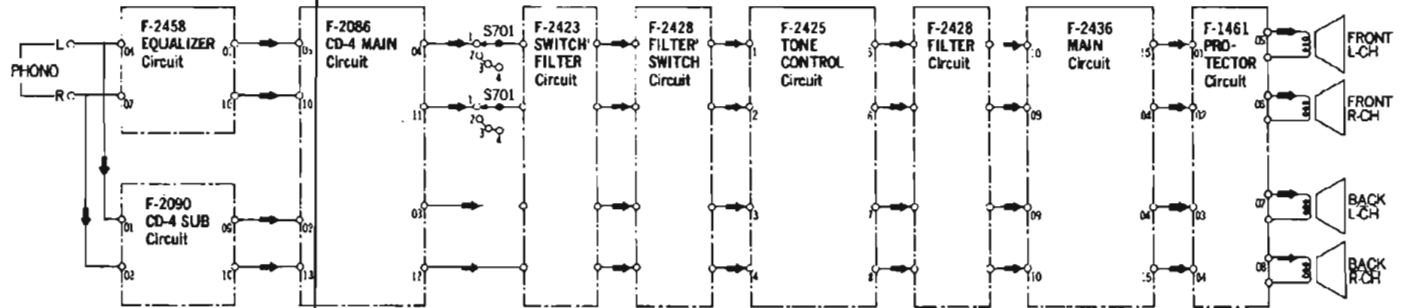
\* Design and specifications subject to change without notice for improvements.

## 2. BLOCK DIAGRAM

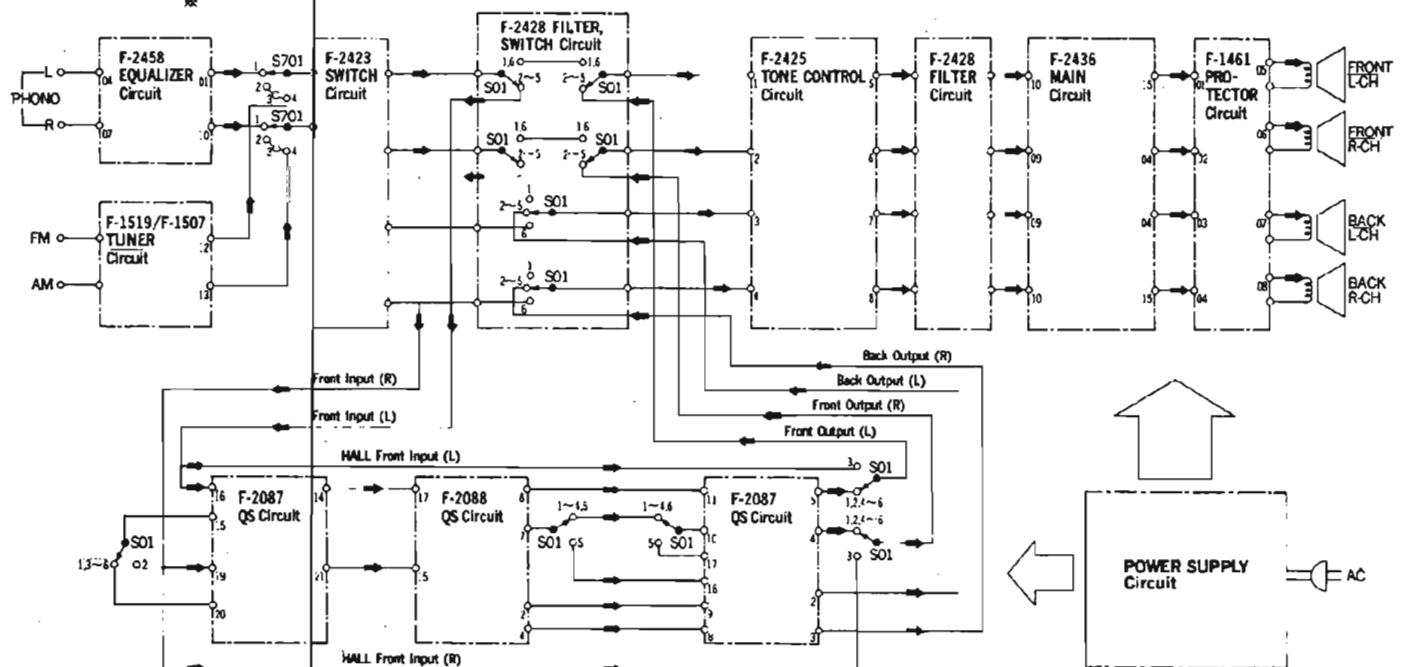
2-CH DIRECT OPERATIVE BLOCK DIAGRAM



CD/4-CH DIRECT OPERATIVE BLOCK DIAGRAM



SYNTHESIZER, QS, SQ, OPERATIVE BLOCK DIAGRAM



S701: SELECTOR

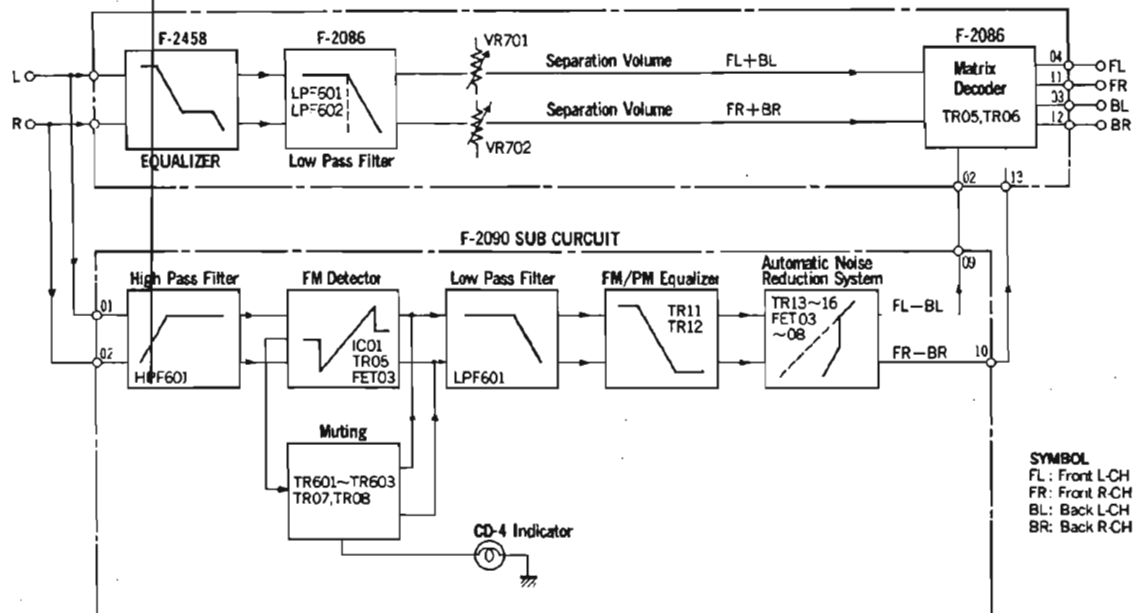
1. PHONO
2. FM AUTO
3. FM MONO (FM MUT. OFF)
4. AM

S01: FUNCTION

1. 2-CH
2. SYNTHESIZER SURROUND
3. SYNTHESIZER HALL
4. QS
5. SQ
6. CD-4/DIRECT

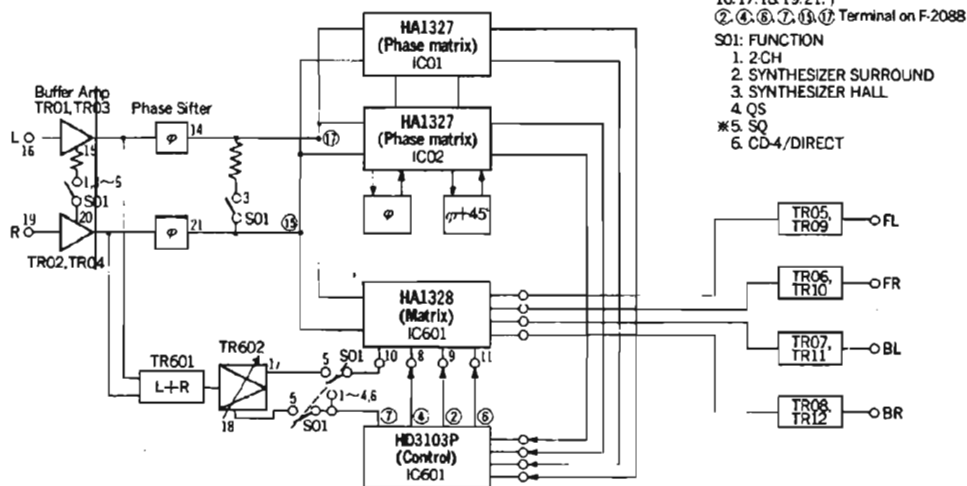
※SQ is a trade mark of CBS, INC.®

### CD-4/4-CH DIRECT BLOCK DIAGRAM



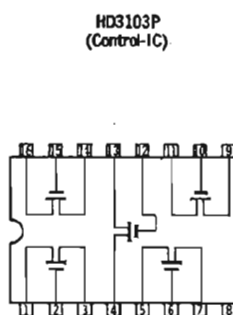
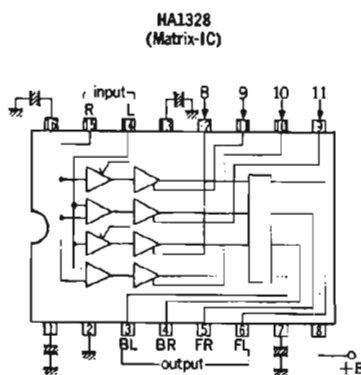
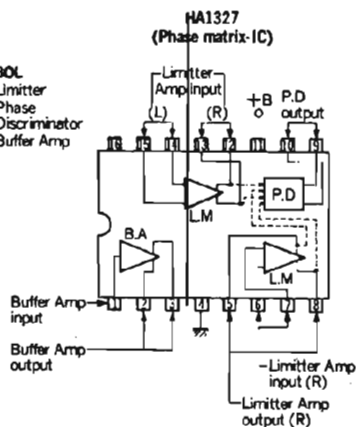
**SYMBOL**  
 FL: Front L-CH  
 FR: Front R-CH  
 BL: Back L-CH  
 BR: Back R-CH

### SYNTHESIZER, QS, SQ BLOCK DIAGRAM



**SYMBOL**  
 8, 9, 10, 11, 14 } Terminal on F-2087  
 16, 17, 18, 19, 21 }  
 ②, ④, ⑥, ⑦, ⑩, ⑪ } Terminal on F-2088  
**S01: FUNCTION**  
 1. 2CH  
 2. SYNTHESIZER SURROUND  
 3. SYNTHESIZER HALL  
 4. QS  
 \*5. SQ  
 \*6. CD-4/DIRECT

**SYMBOL**  
 L.M: Limiter  
 P.D: Phase Discriminator  
 B.A: Buffer Amp



### 3. ALIGNMENTS AND ADJUSTMENTS

#### Abbreviation

##### Equipment

AM FM Generator Oscilloscope ..... Genescope  
 AM Standard Signal Generator ..... AM SSG  
 FM Standard Signal Generator ..... FM SSG  
 FM Stereo Generator ..... Stereo SG  
 Oscilloscope ..... Scope  
 Audio Oscillator ..... Audio Osc.  
 Distortion Meter ..... Dist. Meter

##### Others

Clockwise ..... CW.  
 Counterclockwise ..... CCW.  
 Antenna ..... ANT.  
 Modulation ..... MOD.

#### 3-1. Driver Circuit Board Adjustment (See Figs. 3-1 and 3-2)

- Note: 1. Master Volume ..... Minimum  
 2. Speaker Selector ..... SYSTEM (A)  
 3. Make the SP terminals free (no load).  
 4. Confirm the AC power Supply voltage.  
 5. After adjustment, run the unit for more than 5 minutes, then check and readjust necessary.  
 6. Room temperature should be 18~28° (65~83°F) for bias current adjustment.

| STEP | SUBJECT                 | EQUIPMENT       | MEASURE OUTPUT                       | ADJUST               | ADJUST FOR | CONDITION  |
|------|-------------------------|-----------------|--------------------------------------|----------------------|------------|--|
| 1    | DC 0V Front L-CH        | DC volt meter   | Speaker terminal Front L-CH Fig. 3-1 | F-2436 VR02 Fig. 3-2 | 0V ± 10mV  | ◦Step down meter's range accordingly<br>◦Change lead's polarity if meter swings backward |
| 2    | DC 0V Front R-CH        | DC volt meter   | Speaker terminal Front R-CH Fig. 3-1 | F-2436 VR01 Fig. 3-2 | 0V ± 10mV  | Same as above  |
| 3    | DC 0V Rear L-CH         | DC volt meter   | Speaker terminal Rear L-CH Fig. 3-1  | F-2436 VR01 Fig. 3-2 | 0V ± 10mV  | Same as above  |
| 4    | DC 0V Rear R-CH         | DC volt meter   | Speaker terminal Rear R-CH Fig. 3-1  | F-2436 VR02 Fig. 3-2 | 0V ± 10mV  | Same as above  |
| 5    | Bias current Front L-CH | DC milliammeter | F-2427 F01 Fig. 3-2                  | F-2436 VR04 Fig. 3-2 | 30 ± 3mA   | Same as above  |
| 6    | Bias current Front R-CH | DC milliammeter | F-2427 F02 Fig. 3-2                  | F-2436 VR03 Fig. 3-2 | 30 ± 3mA   | Same as above  |
| 7    | Bias current Rear L-CH  | DC milliammeter | F-2427 F05 Fig. 3-2                  | F-2436 VR03 Fig. 3-2 | 30 ± 3mA   | Same as above  |
| 8    | Bias current Rear R-CH  | DC milliammeter | F-2427 F06 Fig. 3-2                  | F-2436 VR03 Fig. 3-2 | 30 ± 3mA   | Same as above  |

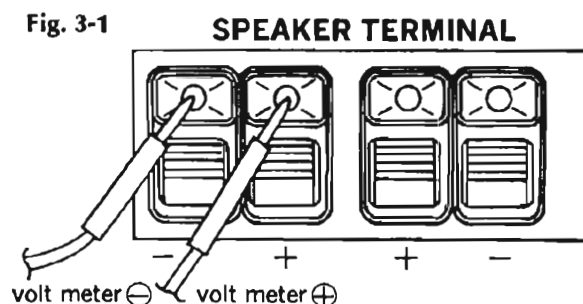
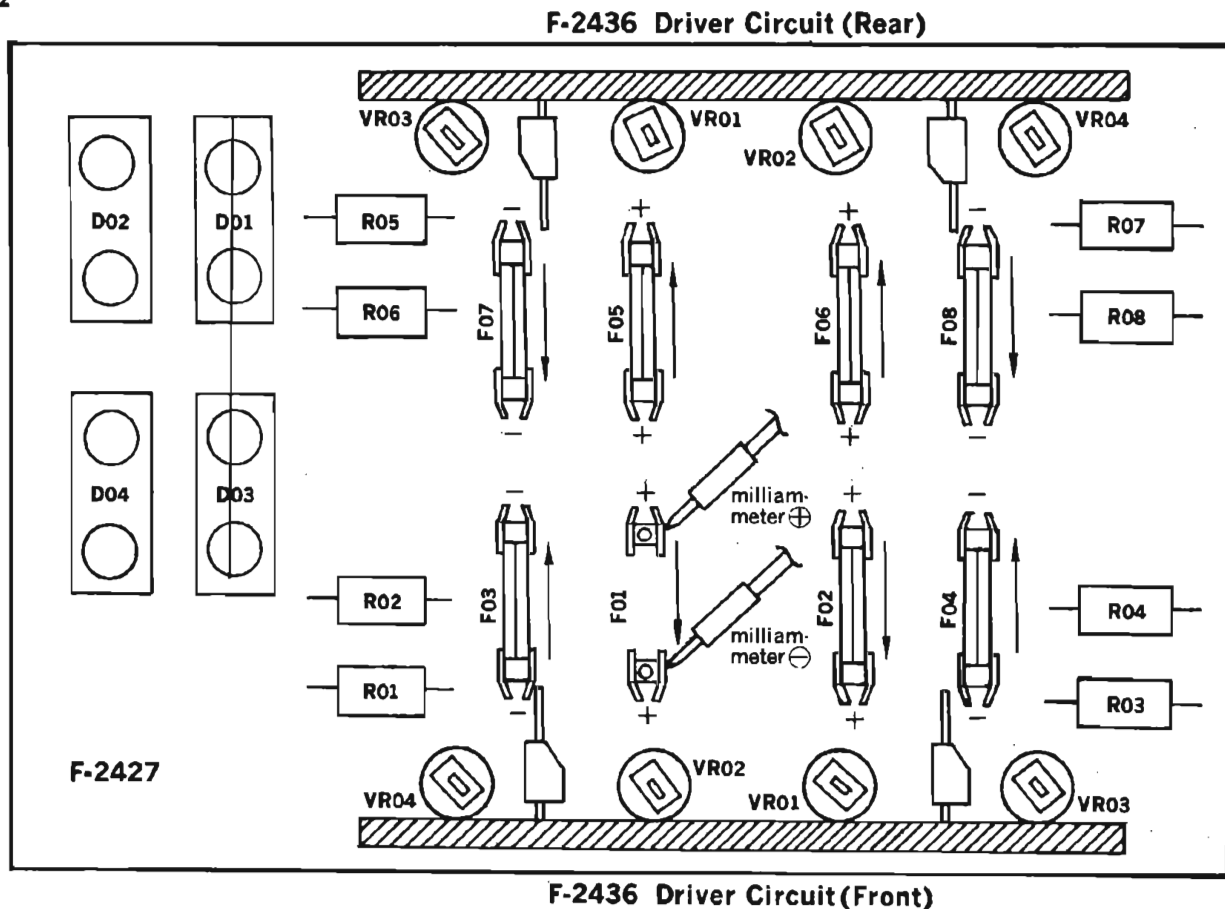


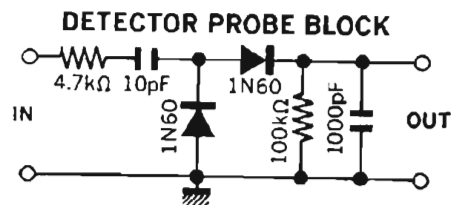
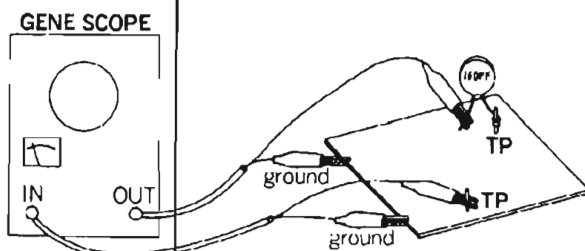
Fig. 3-2



### 3-2. FM IF Alignment (See Figs. 3-6, 3-7 and 3-9 on page 10)

- Note:
1. Selector.....FM MONO
  2. Master Volume .....Minimum
  3. Output level of genescope .....After attenuator
  4. Sweepwidth.....1.5~2cm/150kHz
  5. Frequency band .....9.5~11.5MHz

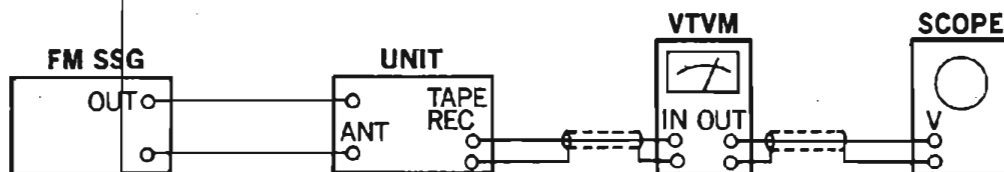
6. Connection .....Connect the output of genescope to TP.01 through 100pF ceramic capacitor.



| STEP | SUBJECT            | FEED SIGNAL           |                      | MEASURE OUTPUT                     | ADJUST            | ADJUST FOR   | CONDITION |
|------|--------------------|-----------------------|----------------------|------------------------------------|-------------------|--|-----------|
|      |                    | FROM                  | TO                   |                                    |                   |  |           |
| 1    | IF coil            | Output 65dB Genescope | F-1519 TP01 Fig. 3-8 | F-1507 TP01 Use Detector Probe     | F-1519 L05        | Max. IF waveform 1 as Fig. 3-6   |           |
| 2    | Discriminator coil | Output 70dB Genescope | Same as above        | F-1507 TP.03 Direct from Genescope | F-1507 T01<br>T02 | Max. linearity of S curve Set the center of S curve to of waveform 3 as Fig. 3-6 |           |

### 3-3. FM Dial Calibration and RF Alignment (See Fig. 3-8 on page 10)

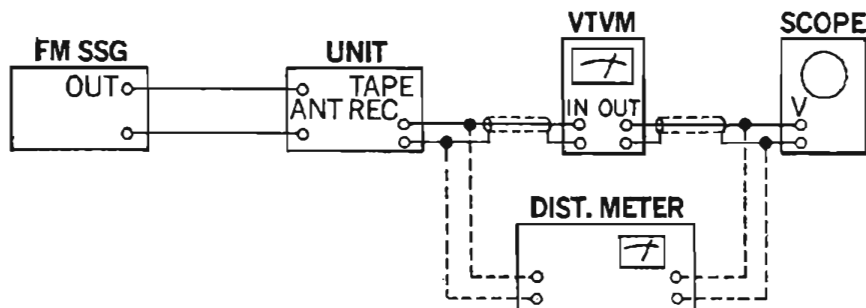
- Note:** 1. Selector .....FM MONO  
 2. Master Volume.....Minimum  
 3. Confirm start point of dial pointer before alignment.



| STEP | SUBJECT                         | FEED SIGNAL  |                      | MEASURE OUTPUT                       | ADJUST                                  | ADJUST FOR                      | CONDITION                        |
|------|---------------------------------|--|----------------------|--------------------------------------|---|---------------------------------|----------------------------------|
|      |                                 | FROM   | TO                   |                                      |   |                                 |                                  |
| 1    | 90MHz Dial Calibration          | 90MHz<br>ANT input 60dB<br>400Hz (100% MOD)<br>FM SSG  | ANT terminal<br>300Ω | REC OUT L or<br>R-ch<br>VTVM & Scope | F-1519<br>L06                           | Max. output                     | ◦Set Dial on 90MHz               |
| 2    | 106MHz Dial Calibration         | 106MHz<br>ANT input 60dB<br>400Hz (100% MOD)<br>FM SSG | Same as above        | Same as above                        | F-1519<br>TC04                          | Same as above                   | ◦Set Dial on 106MHz              |
| 3    | Confirm 90MHz Dial Calibration  | Same as Step 1   | Same as above        | Same as above                        |   | Confirm 90MHz Dial Calibration  | ◦If not, repeat from Step 1      |
| 4    | Confirm 106MHz Dial Calibration | Same as Step 2   | Same as above        | Same as above                        |   | Confirm 106MHz Dial Calibration | ◦If not, repeat from Step 2      |
| 5    | 90MHz RF Adj.                   | 90MHz<br>ANT input 50dB<br>100Hz (100% MOD)<br>FM SSG  | Same as above        | Same as above                        | F-1519<br>L01, L02, L03                 | Max. output                     | ◦Tune FM SSG (Max. Signal Meter) |
| 6    | 106MHz RF Adj.                  | 106MHz<br>ANT input 50dB<br>400Hz (100% MOD)<br>FM SSG | Same as above        | Same as above                        | F-1519<br>Trimmer<br>TC01, TC02<br>TC03 | Same as above                   | Same as above                    |

### 3-4. FM Signal Meter, Mono Distortion and Muting Adjustment (See Fig. 3-7 on page 10)

- Note:** 1. Selector .....FM MONO  
 2. Master Volume.....Minimum

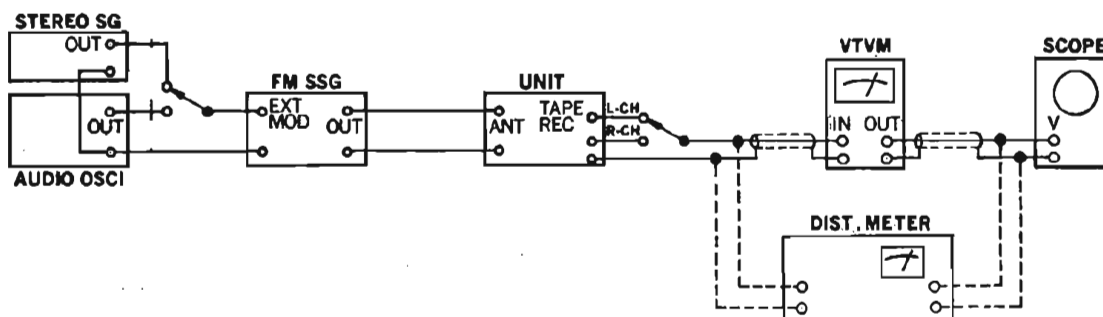




| STEP | SUBJECT      | FEED SIGNAL   |                      | MEASURE OUTPUT                           | ADJUST | ADJUST FOR              | CONDITION  |
|------|--------------|---|----------------------|--|--------|-------------------------|--|
|      |              | FROM  | TO                   |  |        |                         |  |
| 1    | Signal Meter | 98MHz<br>ANT input 60dB<br>400Hz (100% MOD)<br>FM SSG | ANT terminal<br>300Ω | Signal Meter                             | VR02   | 4.3 on meter            | <ul style="list-style-type: none"> <li>◦Tune FM SSG (Max. indication of Signal Meter)</li> <li>◦Before adjustment, if meter swings out or not enough, preadjust VR02 until the reasonable point</li> </ul> |
| 2    | Distortion   | Same as above   | Same as above        | REC OUT L or R-ch<br>Dist. meter & Scope | T02    | Min. distortion         | ◦Tune FM SSG (Max. indication of signal meter)   |
| 3    | Tune Meter   | Same as above   | Same as above        | TUNE Meter                               | VR01   | Center on Tune Meter    | ◦Tune the Tune Meter to Center even FM inter-station noise   |
| 4    | Muting Level | 98MHz<br>ANT input 32dB<br>400Hz (100% MOD)<br>FM SSG | Same as above        | REC OUT L or R-ch<br>VTVM & Scope        | VR04   | Audio signal just muted |  |

### 3-5. MPX Alignment (See Fig. 3-7 on page 10)

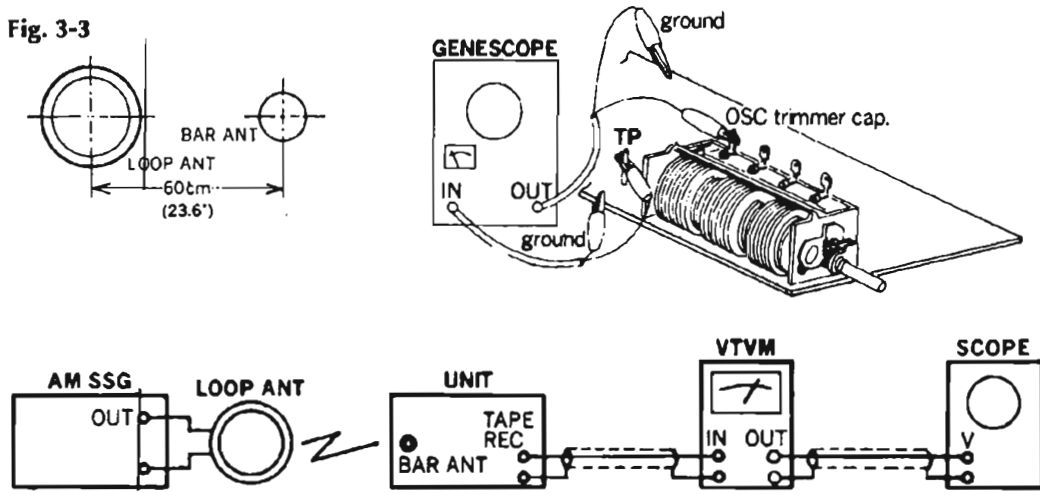
Note: 1. Selector ..... FM AUTO  
2. Master Volume ..... Minimum



| STEP | SUBJECT            | FEED SIGNAL  |                      | MEASURE OUTPUT                      | ADJUST | ADJUST FOR  | CONDITION                                      |
|------|--------------------|--|----------------------|-------------------------------------|--------|-------------|--|
|      |                    | FROM   | TO                   |                                     |        |             |  |
| 1    | 19kHz coil         | 98MHz<br>ANT input 60dB<br>FM SSG<br>Pilot 19kHz<br>(10% MOD)<br>L-ch 1kHz<br>(45% MOD)<br>R-ch (0% MOD)<br>Stereo SG  | ANT terminal<br>300Ω | REC OUT L-ch<br>VTVM & Scope        | L05    | Max. output | ◦Tune FM SSG (Max. indication of signal meter) |
| 2    | Separation         | Same as above  | Same as above        | REC OUT R-ch<br>VTVM & Scope        | VR03   | Min. output |  |
| 3    | Confirm Distortion | Same as above  | Same as above        | REC OUT L-ch<br>Dist. meter & Scope |        |             | ◦If over than 0.5% slightly adjust L05         |
| 4    | Confirm Separation | 98MHz<br>ANT input 60dB<br>FM SSG<br>Pilot 19kHz<br>(10% MOD)<br>L-ch (0% MOD)<br>R-ch 1kHz<br>(45% MOD)<br>Stereo SSG | Same as above        | REC OUT L-ch<br>VTVM & Scope        |        |             | ◦If less than 40dB adjust VR03                 |

### 3-6. AM IF, Dial Calibration, RF and Signal Meter Alignment (See Figs. 3-4, 3-5, 3-7 and 3-8 on page 10)

- Note:
1. Selector.....AM
  2. Master Volume .....Minimum
  3. Confirm start point of dial pointer before alignment.
  4. The loop antenna is required to obtain complete adjustment for AM RF circuit. In this case, as the electro-magnetic field is attenuated by the distance between the loop antenna and BAR ANT, increase more 26dB by attenuator of AM SSG than each ANT input level show in the following steps. (See Fig. 3-3)
  5. After adjustment of signal meter, confirm the meter's swing on FM. (If meter swang out or not enough, readjust VR02.) (See Page 7, 8)



| STEP | SUBJECT                                     | FEED SIGNAL  |                                      | MEASURE OUTPUT                          | ADJUST          | ADJUST FOR                             | CONDITION  |
|------|---|--|--------------------------------------|---|-----------------|--|--|
|      |   | FROM   | TO                                   |   |                 |  |  |
| 1    | IF coil                                     | Output 70dB<br>Genescope                               | OSC trimmer<br>cap. TC05<br>Fig. 3-8 | TP04<br>(Fig. 3-7)                      | T04             | Max. IF wave-<br>form as Fig. 3-4      | o Turn core T08 & T09<br>CCW.                          |
| 2    | IF coil                                     | Output 60dB<br>Genescope                               | Same as<br>above                     | TP04                                    | LC02            | Max. IF wave-<br>form 2 Fig. 3-5       | o If not, readjust 1 & 2<br>slightly                   |
| 3    | 535kHz<br>Dial calibra-<br>tion             | 535kHz<br>ANT input 60dB<br>400Hz (30% MOD)<br>AM SSG  | ANT terminal                         | REC OUT L<br>or R-ch<br>VTVM &<br>Scope | T03             | Max. output                            | o If broadcasting station<br>is near, it might be used |
| 4    | 1400kHz<br>Dial Calibra-<br>tion            | 1400kHz<br>ANT input 60dB<br>400Hz (30% MOD)<br>AM SSG | Same as<br>above                     | Same as<br>above                        | Trimmer<br>TC05 | Same as above                          | Same as above  |
| 5    | Confirm<br>535kHz<br>Dial Calibra-<br>tion  | 535kHz<br>ANT input 60dB<br>400Hz (30% MOD)<br>AM SSG  | Same as<br>above                     | Same as<br>above                        |                 | Confirm<br>535kHz Dial<br>Calibration  | o If not, repeat from<br>Step 3                        |
| 6    | Confirm<br>1400kHz<br>Dial Calibra-<br>tion | 1400kHz<br>ANT input 60dB<br>400Hz (30% MOD)<br>AM SSG | Same as<br>above                     | Same as<br>above                        |                 | Confirm<br>1400kHz Dial<br>Calibration | o If not, repeat from<br>Step 4                        |
| 7    | Confirm<br>1000kHz<br>Dial Calibra-<br>tion | 1000kHz<br>ANT input 60dB<br>400Hz (30% MOD)<br>AM SSG | Same as<br>above                     | Same as<br>above                        |                 | Confirm<br>1000kHz Dial<br>Calibration | o If not, repeat from Step<br>3, 4                     |
| 8    | 600kHz<br>RF Adj.                           | 600kHz<br>ANT input 50dB<br>400Hz (30% MOD)<br>AM SSG  | Same as<br>above                     | Same as<br>above                        | Bar ANT<br>L701 | Max. output                            |  |
| 9    | 1400kHz<br>RF Adj.                          | 1400kHz<br>ANT input 50dB<br>400Hz (30% MOD)<br>AM SSG | Same as<br>above                     | Same as<br>above                        | Trimmer<br>TC06 | Same as above                          |  |

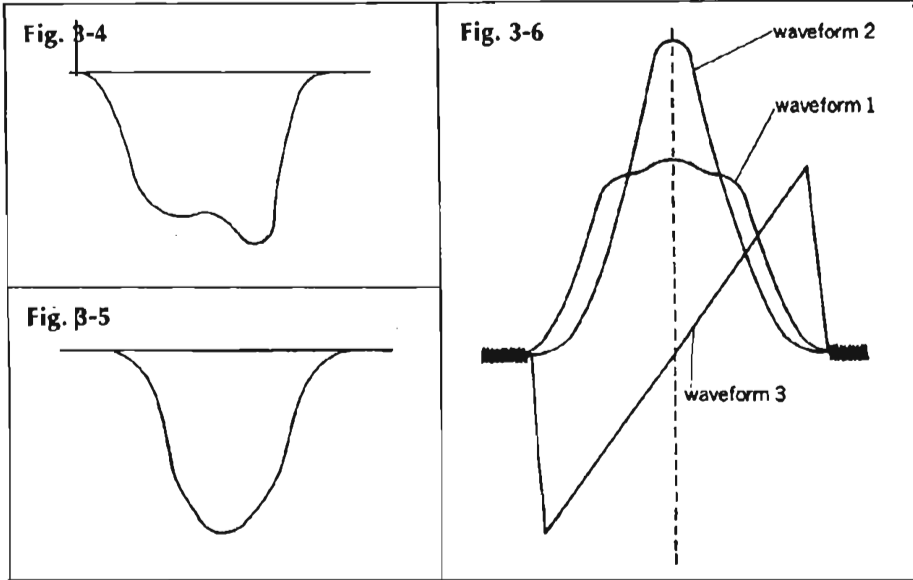


Fig. 3-7

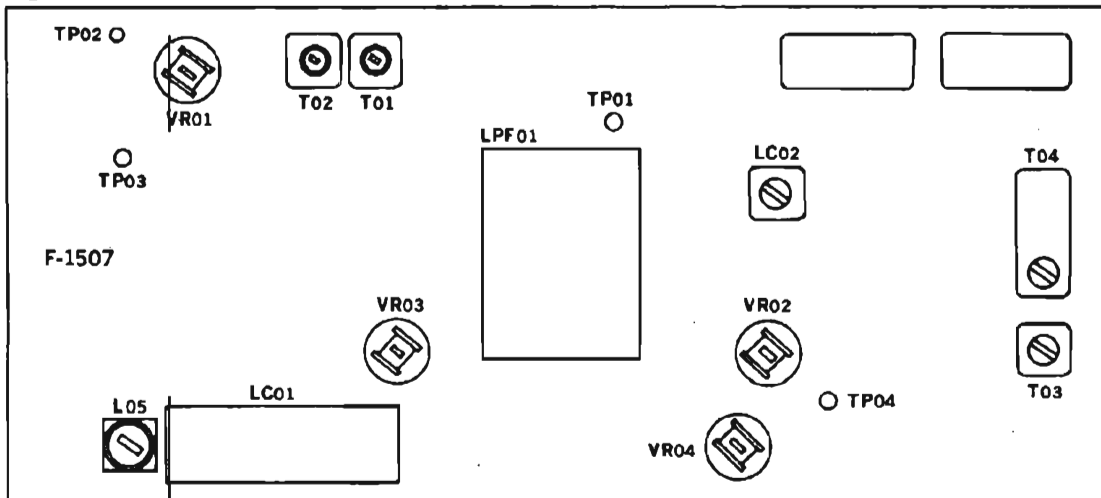


Fig. 3-8

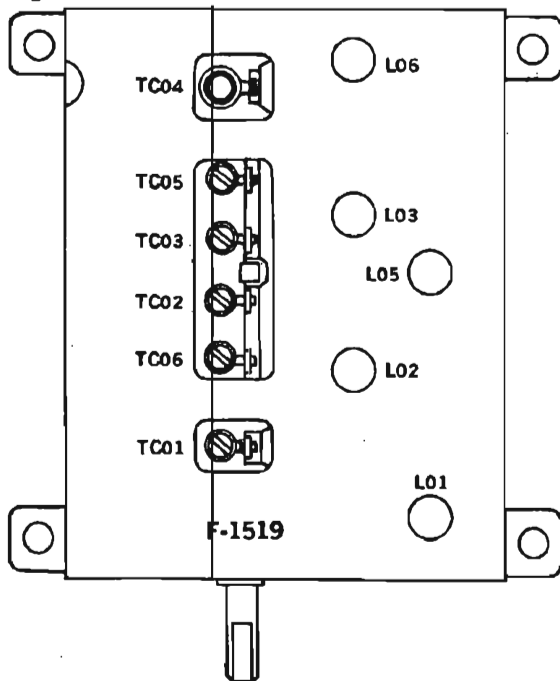
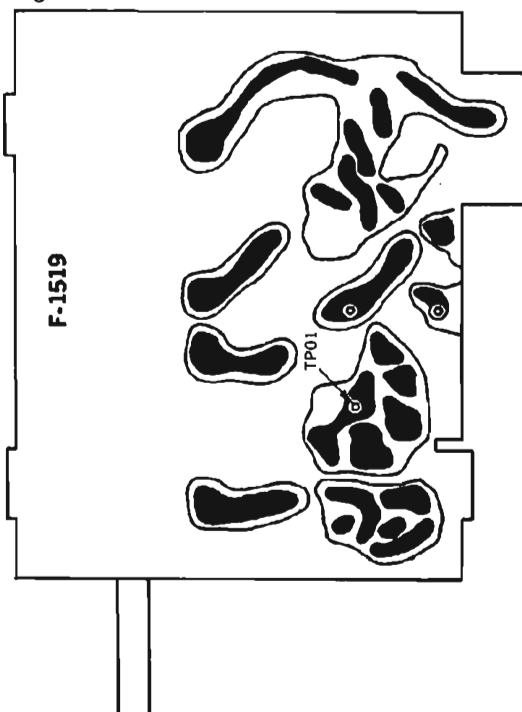
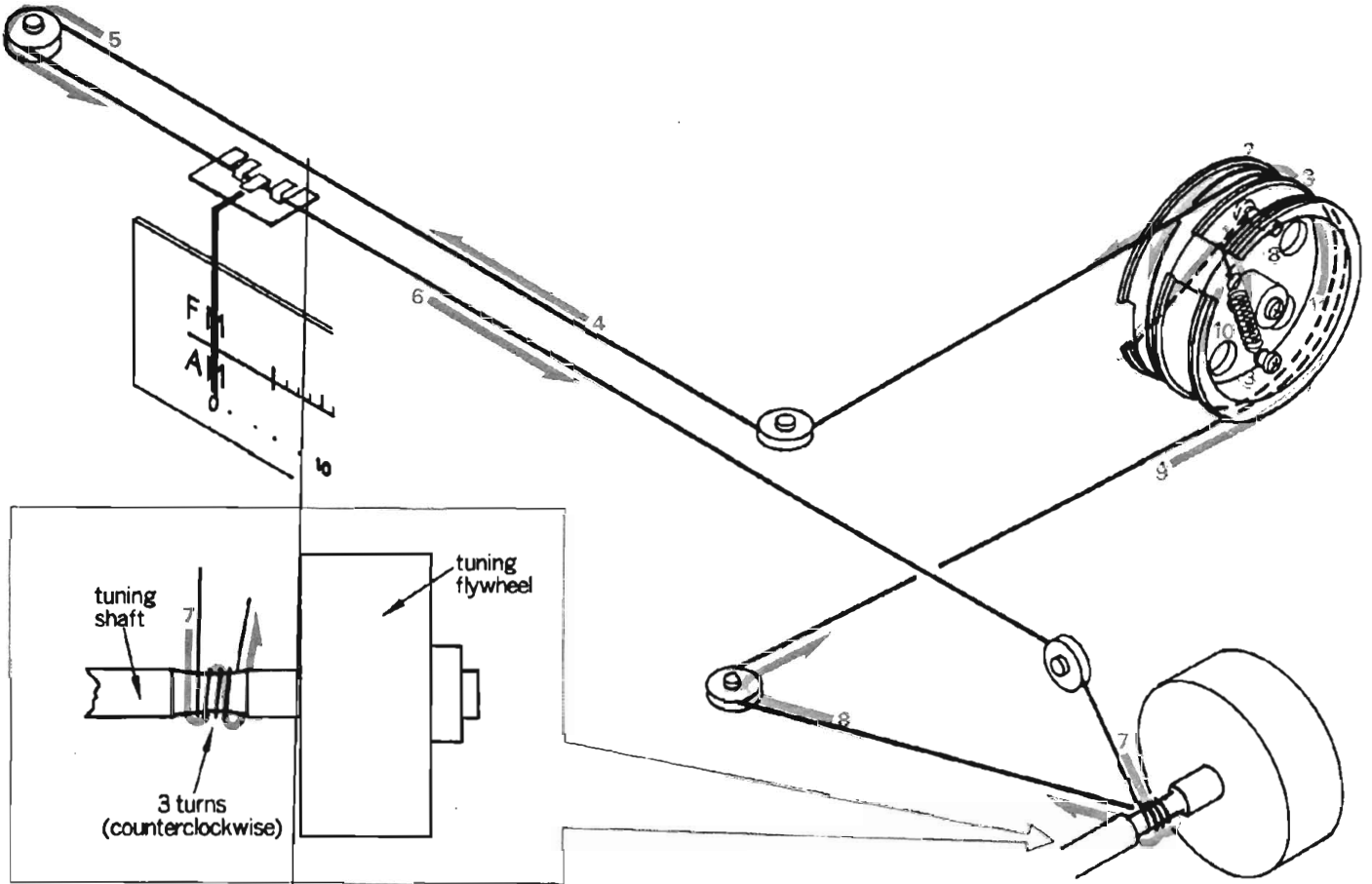


Fig. 3-9



## 4. THREADING OF DIAL CORD



### 1. Threading of Dial Cord

Thread dial cord in numerical order from 1 to 11 as shown in Fig. 3-1.

- 1) Close the variable capacitor completely (Max. capacitance) and tie cord to number ⑧ screw of the dial pulley.
- 2) Thread cord in the direction of arrow from 1 to 6 then wind cord three turns around the tuning shaft counterclockwise.
- 3) Thread cord in the direction of arrow from 7 to 8 then wind it  $1\frac{1}{2}$  turns on the dial pulley from 10 to 11.
- 4) After 11 tie cord to dial spring of the dial pulley.

\*When you perform procedure 4) successfully, please refer to the followings.

- ① To strengthen the dial cord tension, hold around the end of cord and pull it toward the Front Panel.
- ② Then, turn tuning shaft counterclockwise, as the cord tension will be more constantly obtained.
- ③ Tie the cord to dial spring of the dial pulley (same as procedure 4).
- 5) After procedures, lock the knots of cord with paint.

| Stock No. | Description        |
|-----------|--------------------|
| 6036050   | Dial Cord (0.6mmφ) |
| 6906041   | Spring (G)         |

## 5. TROUBLESHOOTING CHART

### 5-1. Troubleshooting on Power Supply Section

| Symptom                            | Check Point | Cause & What to Do   |
|------------------------------------|-------------|--|
| 1. Each lamp not lighted           |             | <ul style="list-style-type: none"> <li>1. Imperfect contact of power supply plug</li> <li>2. Power fuse, F701 opens</li> <li>3. Defective power switch, S11</li> <li>4. F05 on F-2456 opens</li> </ul> |
| 2. Each indicator lamp not lighted |             | <ul style="list-style-type: none"> <li>5. Defective diode, D06 on F-2427</li> <li>6. Defective FUNCTION switch, S01 (i, j)</li> </ul>  |

### 5-2. Troubleshooting on Main Circuit Section

#### 1. Both channels inoperative

|  |   |
|--|---|
| 1-1. +37V Supplied to terminal <span style="border: 1px solid black; padding: 0 2px;">13</span> , <span style="border: 1px solid black; padding: 0 2px;">06</span> on F-2436 | <ul style="list-style-type: none"> <li>7. Defective Relay, S01 (a, b) on F-1461</li> <li>8. Defective TR01, TR02 on F-1461</li> <li>9. F06 on F-2456 opens</li> </ul> |
|--|---|

#### 2. One channel inoperative

2-1. Quick acting fuse on F-2427 opens

|                                   |   |
|-----------------------------------|---|
| 1) DC bias Current not adjustable | <ul style="list-style-type: none"> <li>10. Defective Power transistor, TR701, TR705 (TR702, TR706)</li> <li>11. Defective TR11, TR13 (TR12, TR14) on F-2436</li> <li>12. Defective TR07 (TR08) on F-2436</li> </ul> |
| 2) DC bias current adjustable     | 13. Change quick acting fuse  |

|  |   |
|--|---|
| 3. Quick acting fuse on F-2427 not opens | 14. Defective TR01, TR03, TR05, TR09 (TR02, TR04, TR06, TR10) on F-2436 |
|--|---|

### 5-3. Troubleshooting on Tone Control Circuit Section

#### 1. Both channels inoperative

|   |                                  |
|---|----------------------------------|
| 1-1. +38V not supplied to emitter of TR01 on F-2428 | 1. Defective TR01~TR03 on F-2428 |
|---|----------------------------------|

#### 2. One channel inoperative

2-1. Reverse two lead wire connections from the output terminals of 05 and 06 on F-2425

|                                     |  |
|-------------------------------------|--|
| 1) Inoperative channel reverses     | 2. Defective main circuit section                          |
| 2) Inoperative channel not reverses | 3. Defective TR01, TR05, TR09 (TR02, TR06, TR10) on F-2425 |

### 5-4. Troubleshooting on Phono Circuit Section

#### 1. Both channels inoperative

|  |                                   |
|--|-----------------------------------|
| 1-1. +36V not supplied to terminals of <span style="border: 1px solid black; padding: 0 2px;">05</span> , <span style="border: 1px solid black; padding: 0 2px;">06</span> on F-2458 | 1. Defective power supply section |
|--|-----------------------------------|

#### 2. One channel inoperative

2-1. Reverse two lead wire connections from the input terminal of 04 and 07 on F-2458

|                                     |   |
|-------------------------------------|---|
| 1) Inoperative channel reverses     | <ul style="list-style-type: none"> <li>2. Imperfect contact of turntable output cord</li> <li>3. Defective turntable</li> </ul> |
| 2) Inoperative channel not reverses | 4. Defective TR01, TR03, TR05 (TR02, TR04, TR06) on F-2458  |

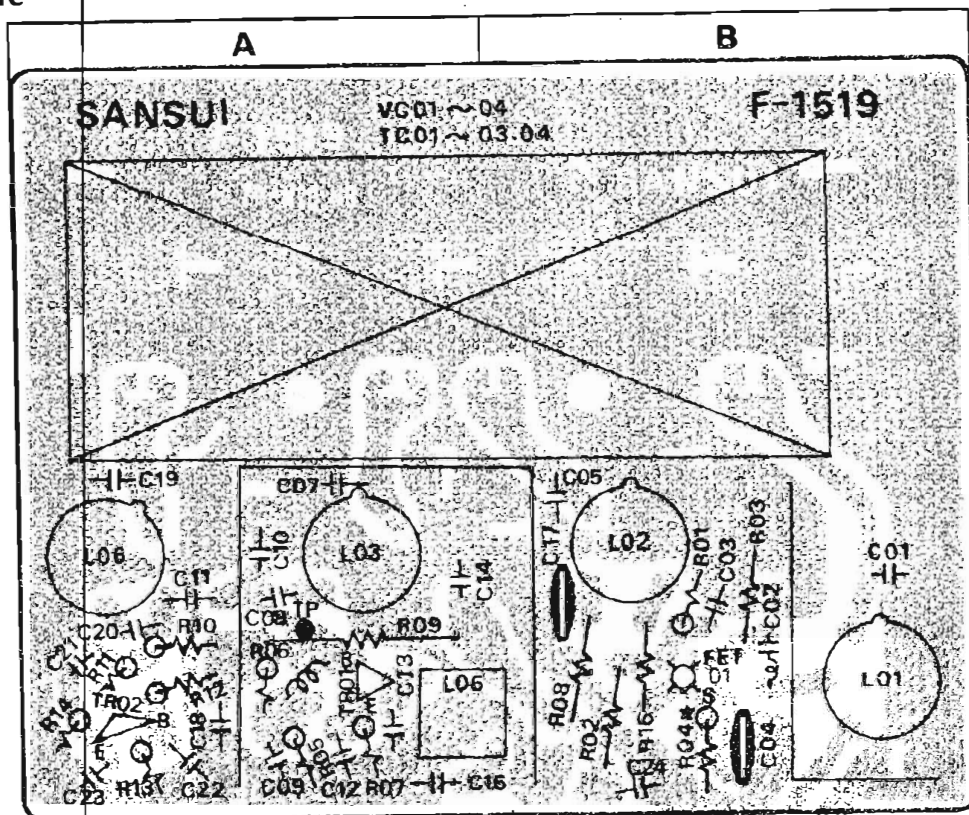
## 5-5. Troubleshooting on Tuner Circuit Section

| Symptom   | Check Point | Cause & What to Do   |
|---|-------------|--|
| <b>1. Both FM and AM inoperative</b>  |             |  |
| 1-1. +12V not supplied to emitter of TR01 on F-2431   |             | 1. Defective TR01 on F-2431<br>2. Defective ZD01 on F-2431   |
| 1-2. +12V supplied to emitter of TR01 on F-2431   |             | 3. Defective IC05 on F-1507<br>4. Defective L.P.F on F-1507  |
| <b>2. FM inoperative</b>  |             |  |
| 2-1. +12V not supplied to terminal of <b>17</b> on F-1507                                   |             | 5. Defective C03, C04, C07, C11, C15 on F1507  |
| 2-2. +12V not supplied to terminal of <b>18</b> on F-1507                                   |             | 6. Defective frontend pack, F-1519   |
| 2-3. +12V supplied to terminals of <b>17</b> , <b>18</b> on F-1507                          |             |  |
| 1) Signal meter inoperative<br>(Meter circuit on F-1507 is normally operative)              |             | 7. Incorrect adjustment of frontend pack, F-1516<br>8. Defective frontend pack, F-1519<br>9. Defective TR01~TR04 on F-1507<br>10. Defective CF01, CF02 on F-1507   |
| 2) Signal meter operative   |             | 11. Defective IC01~IC03 on F-1507<br>12. Defective diode, D01, D02 on F-1507<br>13. Defective discriminator coil, T01, T02, or out of adjustment   |
| <b>3. Inoperative MPX circuit</b>   |             |  |
| 3-1. FM reception inoperative when setting SELECTOR switch to FM AOUT                       |             | 14. Poor sensitivity due to incorrect tracking IF adjustment<br>15. Incorrect adjustment of muting volume, VR04  |
| 3-2. FM muting function inoperative   |             | 16. Defective Selector, S701 (f)<br>17. Defective muting volume, VR04  |
| 3-3. MPX signal including R and L-ch not supplied to points <b>11</b> , <b>12</b> , of IC04 |             | 18. Defective IC04 on F-1507   |
| 3-4. No channel separation and stereo indicator not lighted                                 |             | 19. Defective L05, LC01 on F-1507 or out of adjustment<br>20. Defective separation volume, VR03<br>21. Incorrect adjustment of muting volume, VR04<br>22. Defective muting volume, VR04<br>23. Defective Selector, S701 (g)<br>24. Defective IC05 on F-1507<br>25. Defective TR02 on F-2431<br>26. Defective stereo indicator, PL701 |
| <b>4. Signal meter circuit inoperative</b>  |             |  |
| 4-1. FM or AM sound can be heard  |             | 27. Defective transistor, TR05 TR06 on F-1507<br>28. Defective diode, D03~D07 on F-1507<br>29. Defective meter volume, VR02 or out of adjustment<br>30. Defective signal meter   |
| <b>5. AM inoperative</b>  |             |  |
| 5-1. Signal meter operative<br>(AM sound can not be heard)                                  |             | 31. Shorted transistor, TR09 on F-1507<br>32. Defective IC05 on F-1507<br>33. Defective low pass filter, LPF01 on F-1507   |
| 5-2. Signal meter inoperative<br>(AM sound can not be heard)                                |             | 34. Defective IC06 on F-1507<br>35. Bar antenna coil, L701 opened or out of adjustment<br>36. Opened OSC coil T03, IF coil T04 or LC02 on F-1507   |

# 6. PARTS LOCATION AND PARTS LIST

## 6-1. F-1519C FM Frontend Pack (Stock No. 7510650 Complete Circuit Board F-1519C)

### Conductor Side



### Parts List

| Parts No. | Stock No.  | Description                 | Position         | Parts No. | Stock No. | Description          | Position                                 |
|-----------|------------|-----------------------------|------------------|-----------|-----------|----------------------|--|
| TR01      | 0305800, 1 | 2SC1047 (A, B) } Transistor | A                | C13       | 0660121   | 120pF                | A  |
| TR02      | 0305790, 1 |                             | 2SC930 (C, D) }  | A         | C14       | 0657223              | 0.022μF                                  |
| FET01     | 0370131, 2 | 3SK39 (L, K) FET            | B                | C16       | 0660331   | 330pF                | A  |
| L01       | 4200640    | FM ANT Coil                 | B                | C17       | 0659015   | 2200pF               | B  |
| L02       | 4210220    | FM RF Coil                  | B                | C18       | 0657223   | 0.022μF              | A  |
| L03       | 4210220    | FM RF Coil                  | A                | C19       | 0669350   | 15pF                 | 50V C.C.                                 |
| L04       | 4290110    | Choke Coil                  | A                | C20       | 0657102   | 1000pF               |  |
| L05       | 4235910    | FM IF Coil                  | A                | C21       | 0669369   | 8.2pF                | A  |
| L06       | 4220430    | FM OSC Coil                 | A                | C22       | 0657223   | 0.022μF              | A  |
| TC04      | 1230090    | Trimmer Capacitor           | A                | C23       | 0669221   | 22pF                 | A  |
| VC        | 1220130    | FM AM Variable Capacitor    | A                | C24       | 0667223   | 22000pF              | B  |
| C01       | 0669342    | 5.6pF                       | B                | R01       | 0106105   | 1MΩ ¼W C.R. (E.L.R)  | B  |
| C02       | 0657102    | 1000pF                      | B                | R02       | 0113104   | 100kΩ ¼W S.R.        | B  |
| C03       | 0657223    | 0.022μF                     | 50V C.C.         | R03       | 0113104   | 100kΩ ¼W S.R.        | B  |
| C04       | 0659015    | 2200pF                      |                  | B         | R04       | {0106101<br>0106151} | {100Ω(3SK41(L, B))<br>150Ω(3SK41(K, C))} |
| C05       | 0669345    | 10pF                        | B                | R05       | 0106392   | 3.9kΩ                | A  |
| C06       | 0679023    | 0.39pF                      | 500V Gimmick. C. | R06       | 0106123   | 12kΩ                 | ¼W C.R.                                  |
| C07       | 0669345    | 10pF                        |                  | A         | R07       | 0106392              |  |
| C08       | 0669210    | 10pF                        | A                | R08       | 0113121   | 120Ω                 | ¼W S.R.                                  |
| C09       | 0657102    | 1000pF                      | 50V C.C.         | R09       | 0113271   | 270Ω                 |  |
| C10       | 0661220    | 22pF                        |                  | A         | R10       | 0106392              | 3.9kΩ                                    |
| C11       | 0669003    | 2.2pF                       | A                | R11       | 0106121   | 120Ω                 | A  |
| C12       | 0657223    | 0.022μF                     | A                | R12       | 0106682   | 6.8kΩ                | ¼W C.R.                                  |
|           |            |                             |                  | R13       | 0106222   | 2.2kΩ                |  |
|           |            |                             |                  | R14       | 0106182   | 1.8kΩ                | A  |
|           |            |                             |                  | R15       | 0113470   | 47Ω ¼W S.R.          | B  |

6-2. F-1507C Tuner Circuit Board (Stock No. 7521000 Complete Circuit Board F-1507C)

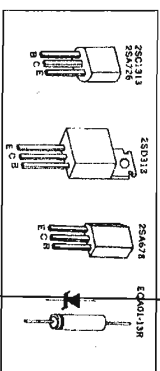
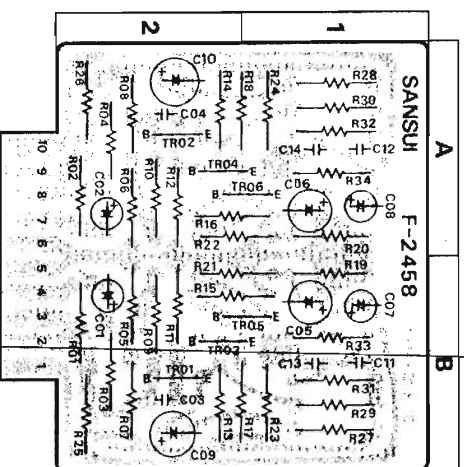
Parts List

| Parts No. | Stock No.  | Description               | Position | Parts No. | Stock No. | Description                | Position |
|-----------|------------|---------------------------|----------|-----------|-----------|----------------------------|----------|
| TR01      | 0306112, 3 | 2SC738 (C, D)             | 1 A      | C20       | 0512100   | 10 $\mu$ F 16V E.C.        | 1 D      |
| TR02      | 0306112, 3 | 2SC738 (C, D)             | 1 A      | C21       | 0513479   | 4.7 $\mu$ F 25V E.C.       | 1 D      |
| TR03      | 0306112, 3 | 2SC738 (C, D)             | 1 B      | C22       | 0660101   | 100pF                      | 1 C      |
| TR04      | 0306112, 3 | 2SC738 (C, D)             | 1 B      | C23       | 0657223   | 0.022 $\mu$ F              | 1 D      |
| TR05      | 0306112, 3 | 2SC738 (C, D)             | 1 B      | C24       | 0657223   | 0.022 $\mu$ F              | 1 B      |
| TR06      | 0306112, 3 | 2SC738 (C, D)             | 2 B      | C25       | 0661470   | 47pF                       | 1 B      |
| TR09      | 0305731, 2 | 2SC711 (E, F)             | 2 C      | C26       | 0657223   | 0.022 $\mu$ F              | 1 B      |
| IC01      | 0360120    | $\mu$ PC555H              | 1 B      | C27       | 0661330   | 33pF                       | 1, 2 B   |
| IC02      | 0360120    | $\mu$ PC555H              | 1 B, C   | C28       | 0661470   | 47pF                       | 2 B      |
| IC03      | 0360120    | $\mu$ PC555H              | 1 C      | C29       | 0657223   | 0.022 $\mu$ F              | 2 B      |
| IC04      | 0360080    | HA1120                    | 1, 2 D   | C30       | 0661470   | 47pF                       | 2 B      |
| IC05      | 0360140    | HA1149                    | 2 C      | C31       | 0657223   | 0.022 $\mu$ F              | 2 B      |
| IC06      | 0360150    | HA1151                    | 1, 2 A   | C32       | 0512100   | 10 $\mu$ F 16V E.C.        | 2 B      |
| D01       | 0311060    | 1N50P                     | 1 D      | C33       | 0667223   | 0.022 $\mu$ F              | 2 B      |
| D02       | 0311060    | 1N50P                     | 1 D      | C34       | 0657223   | 0.022 $\mu$ F              | 1 B      |
| D03       | 0310331    | 1N60                      | 2 B      | C36       | 0515229   | 2.2 $\mu$ F 50V E.C.       | 1 D      |
| D04       | 0310331    | 1N60                      | 2 B      | C37       | 0512101   | 100 $\mu$ F 16V E.C.       | 1 D      |
| D05       | 0310331    | 1N60                      | 1 B      | C38       | 0629001   | 6800pF 50V P.C.            | 2 D      |
| D06       | 0310331    | 1N60                      | 1 B      | C39       | 0513479   | 4.7 $\mu$ F                | 2 D      |
| D07       | 0310331    | 1N60                      | 2 B      | C40       | 0513479   | 4.7 $\mu$ F                | 1 D      |
| D901      | 0310331    | 1N60                      |          | C41       | 0515109   | 1 $\mu$ F                  | 2 D      |
| T01       | 4235750    | FM Discriminator Coil     | 1 C      | C42       | 0515109   | 1 $\mu$ F                  | 1 D      |
| T02       | 4235760    |                           | 1 C      | C43       | 0600157   | 0.015 $\mu$ F 50V M.C.     | 2 C      |
| T03       | 4220550    | AM OSC Coil               | 2 A      | C44       | 0600157   | 0.015 $\mu$ F              | 1 C      |
| T04       | 0910270    | Ceramic Filter            | 1, 2 A   | C45       | 0600686   | 0.0068 $\mu$ F             | 2 C      |
| L01       | 4900200    | 10 $\mu$ H Inductor Coil  | 1 B      | C46       | 0600686   | 0.0068 $\mu$ F             | 1 C      |
| L02       | 4900200    | 10 $\mu$ H Inductor Coil  | 1 B, C   | C47       | 0512101   | 100 $\mu$ F                | 1 C, D   |
| L03       | 4900200    | 10 $\mu$ H Inductor Coil  | 1 C      | C53       | 0512100   | 10 $\mu$ F                 | 1 D      |
| L04       | 4900100    | 3.3 $\mu$ H Inductor Coil | 1 C      | C54       | 0515109   | 1 $\mu$ F                  | 2 B      |
| L05       | 4240720    | 19kHz MPX Coil            | 2 D      | C55       | 0515339   | 3.3 $\mu$ F                | 1 C      |
| L07       | 4290011    | 3.5 $\mu$ H Peaking Coil  | 2 A      | C56       | 0515109   | 1 $\mu$ F                  | 2 C      |
| LC01      | 4240710    | MPX Coil Block            | 2 C, D   | C57       | 0515109   | 1 $\mu$ F                  | 2 C      |
| LC02      | 4230620    | AM IF Coil                | 1, 2 A B | C58       | 0512100   | 10 $\mu$ F 16V E.C.        | 2 C      |
| LPF01     | 0910210    | Low Pass Filter           | 1, 2 B C | C59       | 0519102   | 3.3 $\mu$ F 50V (BRN) E.C. | 1 C      |
| CF02a     | 0910150    | Ceramic Filter            | 1 A      | C60       | 0601686   | 0.0068 $\mu$ F 50V M.C.    | 1 C      |
| CF02b     | 0910150    | Ceramic Filter            | 1 A      | C61       | 0519102   | 3.3 $\mu$ F 50V (BRN) E.C. | 1 C      |
| VR01      | 1035150    | 22k $\Omega$ (B)          | 1 D      | C62       | 0601686   | 0.0068 $\mu$ F 50V M.C.    | 1 C      |
| VR02      | 1035170    | 47k $\Omega$ (B)          | 2 B      | C64       | 0620361   | 360pF 50V P.C.             | 2 A      |
| VR03      | 1035070    | 1k $\Omega$ (B)           | 2 C      | C65       | 0669215   | 15pF 50V C.C.              | 2 A      |
| VR04      | 1035190    | 100k $\Omega$ (B)         | 2 B      | C66       | 0512100   | 10 $\mu$ F 16V E.C.        | 2 A      |
| C01       | 0657223    | 0.022 $\mu$ F             | 1 A      | C67       | 0657223   | 0.022 $\mu$ F              | 2 A      |
| C02       | 0657223    | 0.022 $\mu$ F             | 1 A      | C68       | 0657223   | 0.022 $\mu$ F              | 2 A      |
| C03       | 0657223    | 0.022 $\mu$ F             | 1 B      | C69       | 0657223   | 0.022 $\mu$ F              | 1, 2 A   |
| C04       | 0657223    | 0.022 $\mu$ F             | 1 B      | C70       | 0601107   | 0.01 $\mu$ F               | 2 A      |
| C05       | 0657223    | 0.022 $\mu$ F             | 1 B      | C71       | 0601106   | 0.001 $\mu$ F              | 2 A      |
| C06       | 0657223    | 0.022 $\mu$ F             | 1 B      | C72       | 0515109   | 1 $\mu$ F                  | 2 A      |
| C07       | 0657223    | 0.022 $\mu$ F             | 1 B      | C73       | 0515339   | 3.3 $\mu$ F                | 2 B      |
| C08       | 0657223    | 0.022 $\mu$ F             | 1 B      | C74       | 0601107   | 0.01 $\mu$ F 50V M.C.      | 2 A      |
| C09       | 0657223    | 0.022 $\mu$ F             | 1 B      | C75       | 0512101   | 100 $\mu$ F 16V E.C.       | 2 A      |
| C10       | 0657223    | 0.022 $\mu$ F             | 1 B      | C76       | 0601337   | 0.033 $\mu$ F              | 2 A      |
| C11       | 0657223    | 0.022 $\mu$ F             | 1 C      | C77       | 0601396   | 0.0039 $\mu$ F             | 2 A      |
| C12       | 0657223    | 0.022 $\mu$ F             | 1 C      | C78       | 0601227   | 0.022 $\mu$ F              | 2 A      |
| C13       | 0657223    | 0.022 $\mu$ F             | 1 C      | C79       | 0510470   | 47 $\mu$ F 6.3V E.C.       | 2 B      |
| C14       | 0657223    | 0.022 $\mu$ F             | 1 C      | C81       | 0515339   | 3.3 $\mu$ F                | 50V E.C. |
| C15       | 0657223    | 0.022 $\mu$ F             | 1 C      | C901      | 0515109   | 1 $\mu$ F                  |          |
| C16       | 0657223    | 0.022 $\mu$ F             | 1 C      | R04       | 0113151   | 150 $\Omega$               | 1 A      |
| C17       | 0660101    | 100pF                     | 1 C      | R05       | 0113391   | 390 $\Omega$               | 1 A      |
| C18       | 0660101    | 100pF                     | 1 D      | R06       | 0113681   | 680 $\Omega$               | 1 A      |
| C19       | 0660101    | 100pF                     | 1 D      | R07       | 0113153   | 15k $\Omega$               | 1 A      |
|           |            |                           |          | R08       | 0113103   | 10k $\Omega$               | 1 A      |



### 6-3. F-2458 Equalizer Circuit Board

(Stock No. 7506620 Complete Circuit Board F-2458)

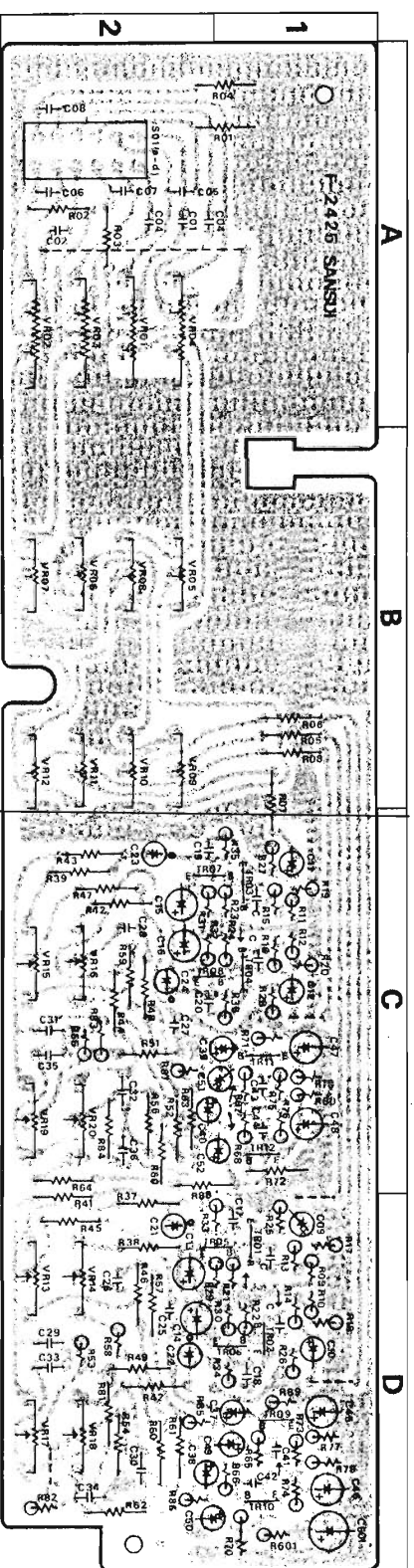


#### Parts List

| Parts No. | Stock No. | Description          | Position  |
|-----------|-----------|----------------------|-----------|
| TR01,02   | 0306070,1 | 25C1313(B) (F,G)     | 2B,2A     |
| TR03,04   | 030410,1  | 2SA726W (F,G)        | 2A,2B     |
| TR05,06   | 0300410,1 | 2SA726W (F,G)        | 1,2A,1,2B |
| C01,02    | 0519105   | 2.2µF 50V E.C. (BRN) | 2B,2A     |
| C03,04    | 0660100   | 10µF 50V C.C.        | 2A,2B     |
| C05,06    | 0510101   | 100µF 6.3V E.C.      | 1B,1A     |
| C07,08    | 0519101   | 1µF 50V (BRN)        | 1B,1A     |
| C09,10    | 0512470   | 47µF 16V E.C.        | 1B,2A     |
| C11,12    | 0600126   | 0.0012µF 50V M.C.    | 1B,1A     |
| C13,14    | 0600476   | 0.0047µF 50V M.C.    | 1B,1A     |
| C15,16    | 0600101   | 1000µF 50V C.C.      | 1A,1B     |
| R01,02    | 0107104   | 100kΩ                | 2B,2A     |
| R03,04    | 0107222   | 2.2kΩ                | 2B,2A     |
| R05,06    | 0107184   | 150kΩ                | 2B,2A     |
| R07,08    | 0107273   | 27kΩ                 | 2B,2A     |
| R09,10    | 0107104   | 100kΩ                | 2B,2A     |
| R11,12    | 0107334   | 330kΩ                | 2B,2A     |
| R13,14    | 0107154   | 150kΩ                | 2B,2A     |
| R15,16    | 0107543   | 56kΩ                 | 1,2B,1,2A |
| R17,18    | 0107274   | 270kΩ                | 1,2B,1,2A |
| R19,20    | 0107102   | 100kΩ                | 1B,1A     |
| R21,22    | 0107101   | 100kΩ                | 1,2B,1,2A |
| R23,24    | 0107472   | 4.7kΩ                | 1B,1A     |
| R25,26    | 0107104   | 100kΩ                | 1B,1A     |
| R27,28    | 0107182   | 1.8kΩ                | 1B,1A     |
| R29,30    | 0107331   | 330kΩ                | 1B,1A     |
| R31,32    | 0107543   | 56kΩ                 | 1B,1A     |
| R33,34    | 0106544   | 560kΩ                | 1B,1A     |
| R35,36    | 0106294   | 220kΩ                | 1B,1A     |

### 6-4. F-2425 Tone Control Circuit Board

(Stock No. 7506870 Complete Circuit Board F-2425)

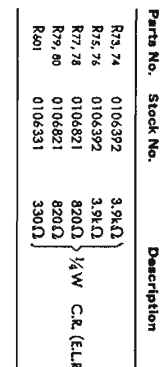
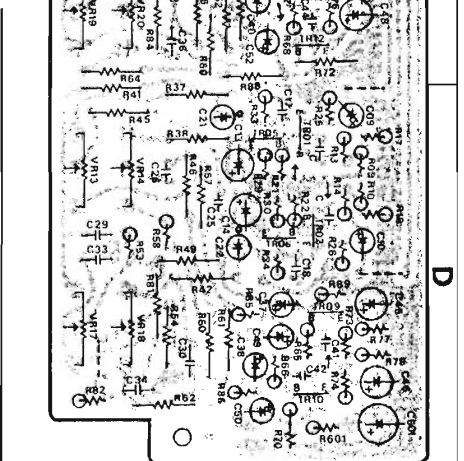


#### Parts List

| Parts No. | Stock No. | Description          | Position |
|-----------|-----------|----------------------|----------|
| TR01,02   | 0306070,1 | 25C1313(B) (F,G)     | 1D       |
| TR03,04   | 0306070,1 | 25C1313(B) (F,G)     | 1C       |
| TR05,06   | 0300470,1 | 2SA726 (F,G)         | 1D       |
| TR07,08   | 0300470,1 | 2SA726 (F,G)         | 1C       |
| TR09,10   | 0306070,1 | 25C1313(B) (F,G)     | 1D       |
| TR11,12   | 0306070,1 | 25C1313(B) (F,G)     | 1C       |
| VR01-04   | 1060340,1 | 250kΩ (B)X4          | 2A       |
| VR05-08   | 1060350,1 | 250kΩ (MN)X4         | 2B       |
| VR09-12   | 1060350,1 | 250kΩ (MN)X4         | 2B       |
| VR13,14   | 1010930,1 | 100kΩ (B)X2          | 2D       |
| VR15,16   | 1010930,1 | 100kΩ (B)X2          | 2C       |
| VR17,18   | 1010930,1 | 100kΩ (B)X2          | 2D       |
| VR19,20   | 1010930,1 | 100kΩ (B)X2          | 2C       |
| C01,02    | 0620181   | 180pF                | 2A       |
| C03,04    | 0620181   | 180pF                | 2A       |
| C05,06    | 0601227   | 0.022µF 50V P.C.     | 2A       |
| C07,08    | 0601227   | 0.022µF 50V M.C.     | 2A       |
| C09,10    | 0519101   | 1µF 50V E.C. (BRN)   | 2A       |
| C11,12    | 0519101   | 1µF 50V E.C. (BRN)   | 1D       |
| C13,14    | 0510101   | 100µF 6.3V E.C.      | 1,2D     |
| C15,16    | 0510101   | 100µF 6.3V E.C.      | 1,2C     |
| C17,18    | 0660220   | 22µF 50V C.C.        | 1D       |
| C19,20    | 0660220   | 22µF 50V C.C.        | 1C       |
| C21,22    | 0519102   | 3.3µF 50V E.C. (BRN) | 2D,1,2D  |
| C23,24    | 0519102   | 3.3µF 50V E.C. (BRN) | 2D       |
| C25,26    | 0660226   | 0.0022µF             | 2D       |
| C27,28    | 0601226   | 0.0022µF             | 2D       |
| C29,30    | 0601827   | 0.082µF 50V M.C.     | 2C       |
| C31,32    | 0601827   | 0.082µF 50V M.C.     | 2D       |
| C33,34    | 0601827   | 0.082µF 50V M.C.     | 2C       |
| C35,36    | 0601827   | 0.082µF 50V M.C.     | 2D       |
| C37,38    | 0519102   | 3.3µF 50V E.C. (BRN) | 2C       |
| C39,40    | 0519102   | 3.3µF 50V E.C. (BRN) | 2C       |
| C41,42    | 0660330   | 33µF 50V C.C.        | 1D       |
| C43,44    | 0660330   | 33µF 50V C.C.        | 1D       |
| C45,46    | 0510101   | 100µF 6.3V E.C.      | 1D       |
| C47,48    | 0510101   | 100µF 6.3V E.C.      | 1C       |
| C49,50    | 0519102   | 3.3µF 50V E.C. (BRN) | 1D       |
| C51,52    | 0519102   | 3.3µF 50V E.C. (BRN) | 1C       |
| C60       | 0515470   | 47µF 50V E.C.        | 1D       |

### 6-5. F-2431 Power Supply Circuit Board for Tuner Section

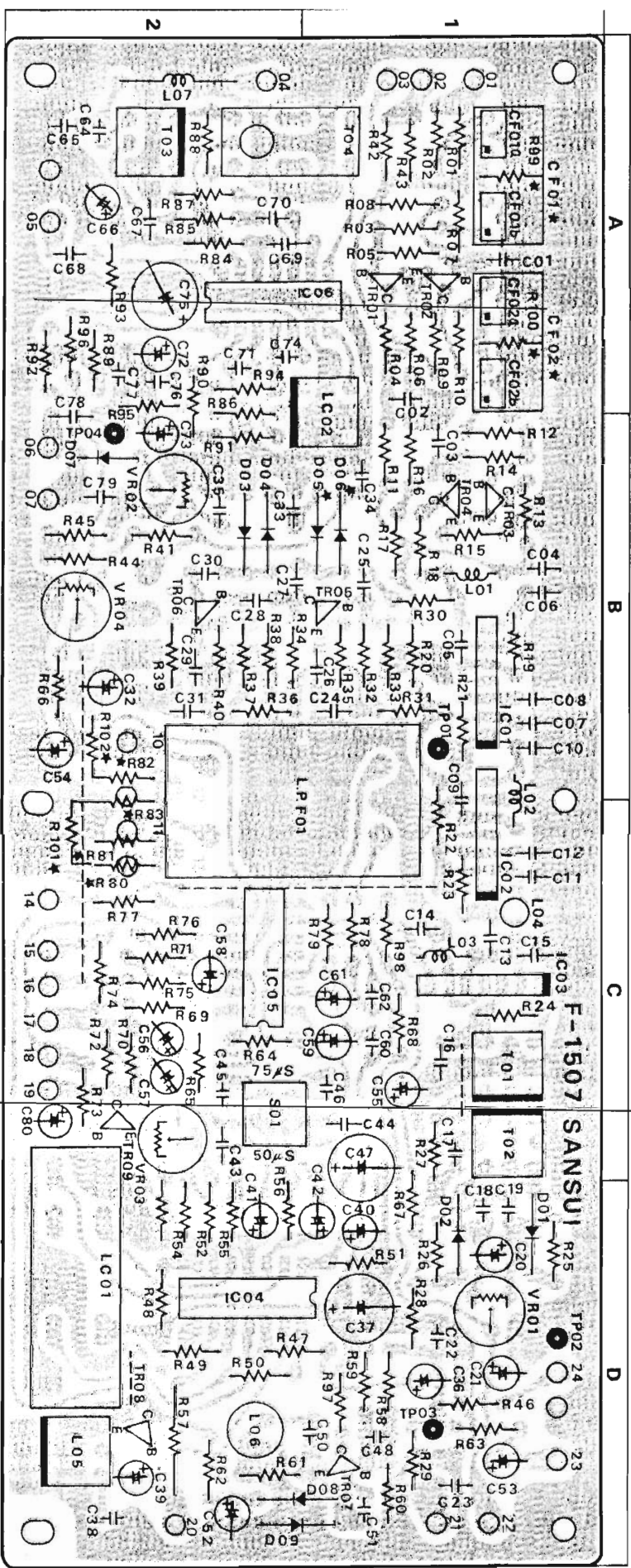
(Stock No. 7506920 Complete Circuit Board F-2431)



#### Parts List

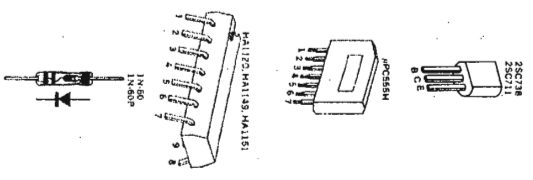
| Parts No. | Stock No. | Description | Position |
|-----------|-----------|-------------|----------|
| R01,02    | 0106392   | 3.9kΩ       | 1D       |
| R03,04    | 0106392   | 3.9kΩ       | 1C       |
| R05,06    | 0106821   | 820kΩ       | 1D       |
| R07,08    | 0106821   | 820kΩ       | 1C       |
| R09,10    | 0106821   | 820kΩ       | 1C       |
| R11,12    | 0106391   | 390kΩ       | 1D       |
| R13,14    | 0106391   | 390kΩ       | 1D       |
| R15,16    | 0106392   | 3.9kΩ       | 1D       |
| R17,18    | 0106392   | 3.9kΩ       | 1C       |
| R19,20    | 0106821   | 820kΩ       | 1C       |
| R21,22    | 0106821   | 820kΩ       | 1C       |
| R23,24    | 0106391   | 390kΩ       | 1D       |
| R25,26    | 0106392   | 3.9kΩ       | 1D       |
| R27,28    | 0106821   | 820kΩ       | 1C       |
| R29,30    | 0106821   | 820kΩ       | 1C       |
| R31,32    | 0106391   | 390kΩ       | 1D       |
| R33,34    | 0106392   | 3.9kΩ       | 1D       |
| R35,36    | 0106821   | 820kΩ       | 1C       |
| R37,38    | 0106821   | 820kΩ       | 1C       |
| R39,40    | 0106391   | 390kΩ       | 1D       |
| R41,42    | 0106392   | 3.9kΩ       | 1D       |
| R43,44    | 0106821   | 820kΩ       | 1C       |
| R45,46    | 0106821   | 820kΩ       | 1C       |
| R47,48    | 0106391   | 390kΩ       | 1D       |
| R49,50    | 0106392   | 3.9kΩ       | 1D       |
| R51,52    | 0106821   | 820kΩ       | 1C       |
| R53,54    | 0106821   | 820kΩ       | 1C       |
| R55,56    | 0106391   | 390kΩ       | 1D       |
| R57,58    | 0106392   | 3.9kΩ       | 1D       |
| R59,60    | 0106821   | 820kΩ       | 1C       |
| R61,62    | 0106821   | 820kΩ       | 1C       |
| R63,64    | 0106391   | 390kΩ       | 1D       |
| R65,66    | 0106392   | 3.9kΩ       | 1D       |
| R67,68    | 0106821   | 820kΩ       | 1C       |
| R69,70    | 0106821   | 820kΩ       | 1C       |
| R71,72    | 0106391   | 390kΩ       | 1D       |
| R73,74    | 0106392   | 3.9kΩ       | 1D       |
| R75,76    | 0106821   | 820kΩ       | 1C       |
| R77,78    | 0106821   | 820kΩ       | 1C       |
| R79,80    | 0106391   | 390kΩ       | 1D       |
| R81,82    | 0106392   | 3.9kΩ       | 1D       |
| R83,84    | 0106821   | 820kΩ       | 1C       |
| R85,86    | 0106821   | 820kΩ       | 1C       |
| R87,88    | 0106391   | 390kΩ       | 1D       |
| R89,90    | 0106392   | 3.9kΩ       | 1D       |
| R91,92    | 0106821   | 820kΩ       | 1C       |
| R93,94    | 0106821   | 820kΩ       | 1C       |
| R95,96    | 0106391   | 390kΩ       | 1D       |
| R97,98    | 0106392   | 3.9kΩ       | 1D       |
| R99,100   | 0106821   | 820kΩ       | 1C       |

Conductor Side



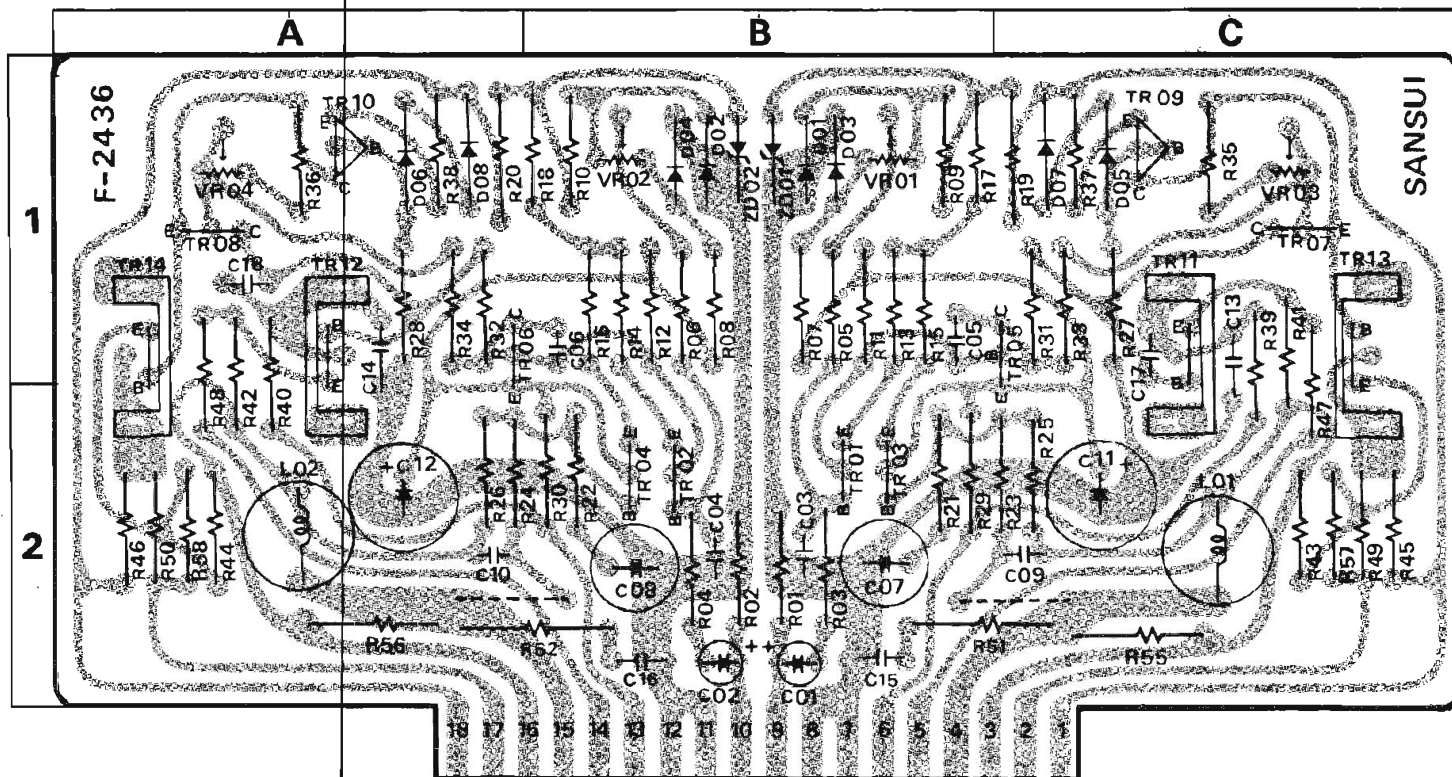
- Abbreviations**
- C.R. : Carbon Resistor
  - S.R.R. : Solid Resistor
  - Ca.R. : Cement Resistor
  - M.R. : Metallized Film Resistor
  - M.C. : Mylar Capacitor
  - E.C. : Electrolytic Capacitor
  - BP.E.C. : Bipolar Electrolytic Capacitor
  - C.C. : Ceramic Capacitor
  - M.C. : Mica Capacitor
  - O.C. : Oil Capacitor
  - P.C. : Polystyrene Capacitor
  - T.C. : Tantalum Capacitor

| Parts No. | Stock No. | Description | Position | Parts No. | Stock No. | Description | Position | Parts No. | Stock No. | Description | Position | Parts No. | Stock No. | Description  | Position |
|-----------|-----------|-------------|----------|-----------|-----------|-------------|----------|-----------|-----------|-------------|----------|-----------|-----------|--------------|----------|
| R09       | 0113471   | 470Ω        | 1A       | R30       | 0113102   | 1kΩ         | 1B       | R40       | 0113471   | 470Ω        | 1D       | R88       | 0113224   | 220kΩ        | 2A       |
| R11       | 0113479   | 4.7Ω        | 1B       | R31       | 0113391   | 390Ω        | 1B       | R41       | 0113122   | 1.2kΩ       | 2C       | R89       | 0113122   | 1.2kΩ        | 2A       |
| R13       | 0113151   | 150Ω        | 1B       | R32       | 0113391   | 390Ω        | 1B       | R42       | 0113103   | 10kΩ        | 2C       | R90       | 0113103   | 10kΩ         | 2A       |
| R14       | 0113391   | 390Ω        | 1B       | R33       | 0113220   | 22Ω         | 2B       | R43       | 0113103   | 10kΩ        | 2C       | R91       | 0113103   | 10kΩ         | 2B       |
| R15       | 0113221   | 220Ω        | 1B       | R34       | 0113223   | 22kΩ        | 2B       | R44       | 0113152   | 1.5kΩ       | 1C       | R92       | 0113152   | 1.5kΩ        | 2A       |
| R16       | 0113562   | 5.6kΩ       | 1B       | R35       | 0113183   | 18kΩ        | 2B       | R45       | 0113151   | 1.5kΩ       | 2A       | R93       | 0113151   | 1.5kΩ        | 2A       |
| R17       | 0113103   | 10kΩ        | 1B       | R36       | 0113102   | 1kΩ         | 2B       | R46       | 0113182   | 1.8kΩ       | 2A       | R94       | 0113182   | 1.8kΩ        | 2A       |
| R18       | 0113102   | 1kΩ         | 1B       | R37       | 0113102   | 1kΩ         | 2B       | R47       | 0113183   | 18kΩ        | 2C       | R95       | 0113183   | 18kΩ         | 2A       |
| R19       | 0113102   | 1kΩ         | 1B       | R38       | 0113104   | 100kΩ       | 1A       | R48       | 0113101   | 100Ω        | 2A       | R96       | 0113101   | 100Ω         | 2A       |
| R20       | 0113479   | 4.7Ω        | 1B       | R39       | 0113333   | 33kΩ        | 1A       | R49       | 0113473   | 4.7kΩ       | 2C       | R97       | 0113473   | 4.7kΩ        | 1C       |
| R21       | 0113102   | 1kΩ         | 1B       | R40       | 0113681   | 680Ω        | 1D       | R50       | 0113472   | 4.7kΩ       | 2C       | R98       | 0113472   | 4.7kΩ        | 1C       |
| R22       | 0113479   | 4.7Ω        | 1B, C    | R41       | 0113562   | 5.6kΩ       | 1,2D     | R51       | 0113222   | 2.2kΩ       | 2C       | R99       | 0113681   | 680Ω         | 2C       |
| R23       | 0113102   | 1kΩ         | 1C       | R42       | 0113479   | 4.7Ω        | 2D       | R52       | 0113472   | 4.7kΩ       | 2C       | R100      | 0113352   | 3.3kΩ        | 2C       |
| R24       | 0113482   | 6.8kΩ       | 1C       | R43       | 0113334   | 330kΩ       | 2D       | R53       | 0113472   | 4.7kΩ       | 2C       | R101      | 0113352   | 3.3kΩ        | 2C       |
| R25       | 0113102   | 1kΩ         | 1D       | R44       | 0113334   | 330kΩ       | 2D       | R54       | 0113222   | 2.2kΩ       | 2C       | R102      | 0113103   | 10kΩ         | 2C       |
| R26       | 0113102   | 1kΩ         | 1D       | R45       | 0113221   | 220Ω        | 2D       | R55       | 0113103   | 10kΩ        | 2C       | R103      | 0113223   | 22kΩ         | 2C       |
| R27       | 0113101   | 100Ω        | 1C       | R46       | 0113472   | 4.7kΩ       | 1D       | R56       | 0113032   | 3.3kΩ       | 1C       | R104      | 0113223   | 22kΩ         | 2C       |
| R28       | 0113471   | 4.7Ω        | 1D       | R47       | 0113101   | 100Ω        | 2C, D    | R57       | 0113332   | 3.3kΩ       | 1C       | R105      | 0113332   | 3.3kΩ        | 2A       |
| R29       | 0113152   | 1.5kΩ       | 1B       | R48       | 0113332   | 3.3kΩ       | 2C, D    | R58       | 0113100   | 10Ω         | 2A       | R106      | 0113332   | 3.3kΩ        | 2A       |
| R30       | 0113220   | 22Ω         | 1B       | R49       | 0113332   | 3.3kΩ       | 2C, D    | R59       | 0113100   | 10Ω         | 2A       | R107      | 0113223   | 22kΩ         | 2A       |
| R31       | 0113320   | 22Ω         | 1B       | R50       | 0113332   | 3.3kΩ       | 2C, D    | R60       | 0113100   | 10Ω         | 2A       | S01       | 1110270   | Slide Switch | 1,2C     |
| R32       | 0113333   | 33kΩ        | 1B       | R51       | 180Ω      | 1/4W M.R.   | 2D       | R61       | 0113100   | 10Ω         | 2A       |           |           |              |          |

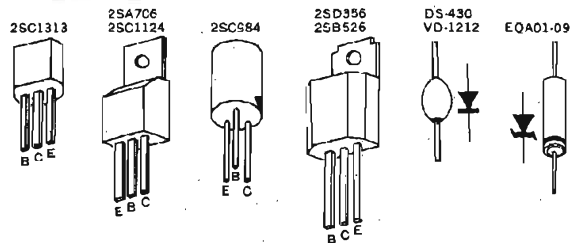


# 6-6. F-2436A Driver Circuit Board (Stock No. 7570960 Complete Circuit Board F-2436A)

## Conductor Side



| Parts No. | Stock No.  | Description                      | Position  |
|-----------|------------|----------------------------------|-----------|
| TR01, 02  | 0306070    | 25C1313® (F, G)                  | 2 B       |
| TR03, 04  | 0306070    | 25C1313® (F, G)                  | 2 B       |
| TR05, 06  | 0300381, 2 | 25A706-3 (2, 3)                  | 1C, 1, 2A |
| TR07, 08  | 0305871, 2 | 25C984 (B, C)                    | 1C, 1 A   |
| TR09, 10  | 0305901, 2 | 25C1124 (2, 3)                   | 1C, 1 A   |
| TR11, 12  | 0308450-2  | 25D356 (C, D, E)                 | 1,2C,1,2A |
| TR13, 14  | 0303280-2  | 25B526 (C, D, E)                 | 1,2C,1,2A |
| D01, 02   | 0340090    | DS-430                           | 1 B       |
| D03, 04   | 0340090    | DS-430                           | 1 B       |
| D05, 06   | 0340120    | VD-1212 Varistor                 | 1C, 1 A   |
| ZD01, 02  | 0315850    | EQA01-09 Zener Diode             | 1 B       |
| VR01, 02  | 1035350    | 4.7kΩ (B) Semi-Variable Resistor | 1 B       |
| VR03, 04  | 1035310    | 1kΩ (B) (Solid Type)             | 1C, 1 A   |
| C01, 02   | 0519101    | 1μF 50V (BRN) E.C.               | 2 B       |
| C03, 04   | 0660470    | 47pF 50V C.C.                    | 2 B       |
| C05, 06   | 0660330    | 33pF 50V C.C.                    | 1 B       |
| C07, 08   | 0530101    | 100μF 6.3V E.C.                  | 2 B       |
| C11, 12   | 0515101    | 100μF 50V E.C.                   | 2C, 2 A   |
| C13, 14   | 0657223    | 0.022μF 50V C.C.                 | 1,2C,1,2A |
| C15, 16   | 0601108    | 0.1μF 50V M.C.                   | 2 B       |
| C17, 18   | 0660101    | 100pF 50V C.C.                   | 1C, 1 A   |
| R01, 02   | 0107124    | 120Ω                             | 2 B       |
| R03, 04   | 0107103    | 10Ω                              | 2 B       |
| R05, 06   | 0107124    | 120Ω                             | 1 B       |
| R07, 08   | 0107683    | 68Ω                              | 1 B       |
| R09, 10   | 0107223    | 22Ω ¼W C.R.                      | 1 B       |
| R11, 12   | 0107102    | 1Ω                               | 1 B       |
| R13, 14   | 0107479    | 4.7Ω                             | 1 B       |
| R15, 16   | 0107479    | 4.7Ω                             | 1 B       |
| R17, 18   | 0107332    | 3.3Ω                             | 1 B       |



| Parts No. | Stock No. | Description     | Position  |
|-----------|-----------|-----------------|-----------|
| R19, 20   | 0103472   | 4.7kΩ ½W C.R.   | 1C, 1 A   |
| R21, 22   | 0107182   | 1.8kΩ           | 2 B       |
| R25, 26   | 0107124   | 120kΩ           | 2C, 2 A   |
| R27, 28   | 0107333   | 33kΩ            | 1C, 1 A   |
| R29, 30   | 0107101   | 100Ω            | 2B, 2 A   |
| R31, 32   | 0107390   | 39Ω             | 1C, 1 A   |
| R33, 34   | 0107332   | 3.3kΩ           | 1C, 1 A   |
| R35, 36   | 0107152   | 1.5kΩ ¼W C.R.   | 1C, 1 A   |
| R37, 38   | 0107181   | 180Ω            | 1C, 1 A   |
| R39, 40   | 0107100   | 10Ω             | 1,2C,1,2A |
| R41, 42   | 0107151   | 150Ω            | 1,2C,1,2A |
| R43, 44   | 0107100   | 10Ω             | 2C, 2 A   |
| R45, 46   | 0107151   | 150Ω            | 2C, 2 A   |
| R47, 48   | 0107479   | 4.7Ω            | 1,2C,1,2A |
| R49, 50   | 0107479   | 4.7Ω            | 2C, 2 A   |
| R51, 52   | 0171100   | 10Ω 1W M.R.     | 2B,C,2A,B |
| R53, 54   | 0133228   | 0.22Ω 3W Co. R. |           |
| R55, 56   | 0107274   | 270kΩ ¼W C.R.   | 2C, 2 A   |

### Abbreviations

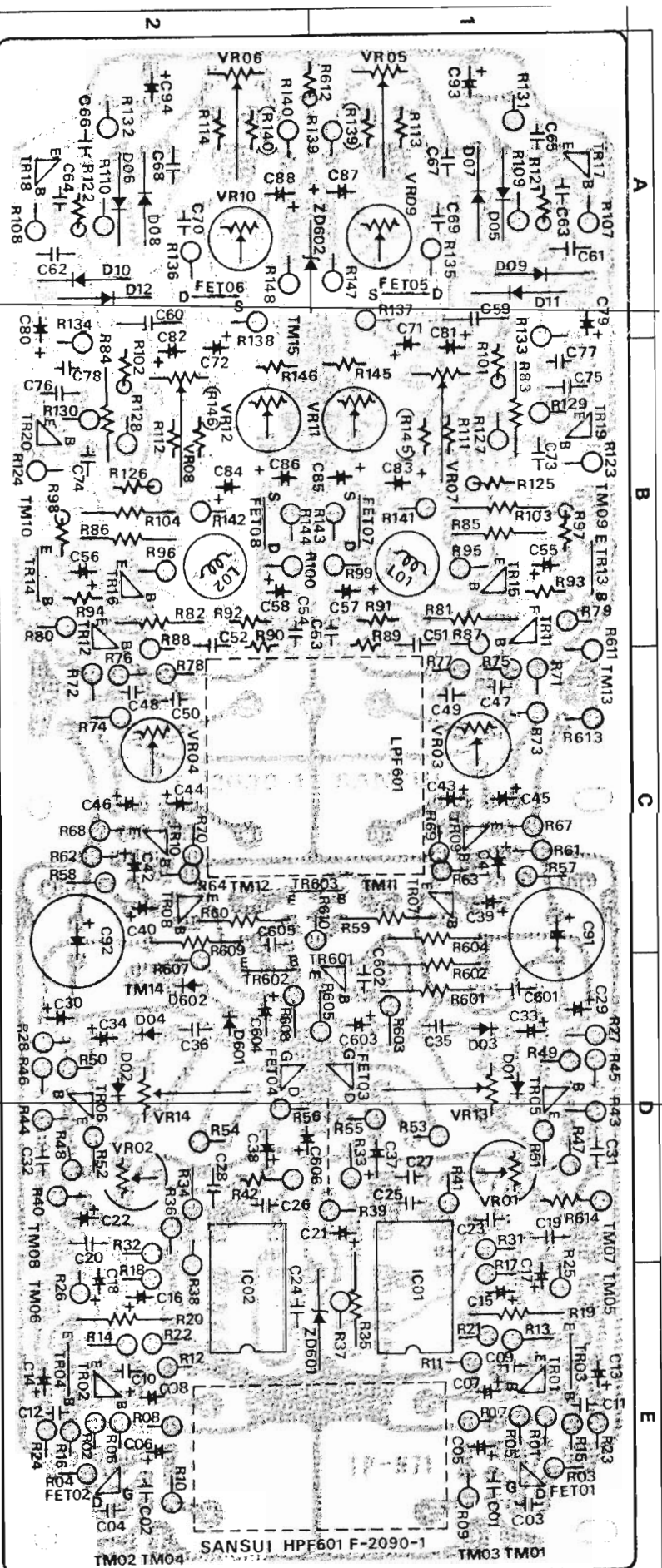
- C.R. : Carbon Resistor
- S.R. : Solid Resistor
- Co.R. : Cement Resistor
- M.R. : Metallized Film Resistor
- M.C. : Mylar Capacitor
- E.C. : Electrolytic Capacitor
- BP.E.C.: Bi-Polar Electrolytic Capacitor
- C.C. : Ceramic Capacitor
- Mi.C. : Mica Capacitor
- O.C. : Oil Capacitor
- P.C. : Polystyrene Capacitor
- T.C. : Tantalum Capacitor

**6-7. F-2090 CD-4 Sub Channel Circuit Board** (Stock No. 7650200 Complete Circuit Board F-2090)

**Parts List**

| Parts No. | Stock No.   | Description       | Position                               | Parts No. | Stock No. | Description    | Position            |                |          |
|-----------|-------------|-------------------|--|-----------|-----------|----------------|---------------------|----------------|----------|
| TR01, 02  | 0306090.1   | 2SC1312 (F, G)    | 1 E. 2 E                               | C13, 14   | 0515109   | 1 $\mu$ F      | 1 E. 2 E            |                |          |
|           | or          | or                |  | C15, 16   | 0515109   | 1 $\mu$ F      |                     | 50V E.C.       |          |
| TR03, 04  | 0306011.2   | 2SC1222 (E, F)    | 1 E. 2 E                               | C17, 18   | 0515109   | 1 $\mu$ F      | 1 E. 2 E            |                |          |
|           | 0306090.1   | 2SC1312 (F, G)    |  | C19, 20   | 0601477   | 0.047 $\mu$ F  | 50V M.C.            | 1 D. 2 D       |          |
| TR06, 06  | 0305951-3   | 2SC945 (Q, P, K)  | 2 D                                    | C21, 22   | 0515109   | 1 $\mu$ F      | 50V E.C.            | 1 D. 2 D       |          |
|           | 0305951-3   | 2SC945 (Q, P, K)  |  | C23, 24   | 0600276   | 0.0027 $\mu$ F | 50V M.C.            | 1 D. 2 E       |          |
| TR07, 08  | 0300301.3.5 | 2SA640 (M, K, L)  | 1 C. 2 C                               | C25, 26   | 0657102   | 0.001 $\mu$ F  | 50V C.C.            | 1 D. 2 D       |          |
|           | or          | or                |  | C27, 28   | 0600336   | 0.0033 $\mu$ F | 50V M.C.            | 1 D. 2 D       |          |
| TR09, 10  | 0300410.1   | 2SA725 (F, G)     | 1 C. 2 C                               | C29, 30   | 0512100   | 10 $\mu$ F     | 16V E.C.            | 1 D. 2 D       |          |
|           | 0306090.1   | 2SC1312 (F, G)    |  | C31, 32   | 0601476   | 0.0047 $\mu$ F | 50V M.C.            | 1 D. 2 D       |          |
| TR11, 12  | 0306011.2   | 2SC1222 (E, F)    | 1 B. 2 B                               | C33, 34   | 0515109   | 1 $\mu$ F      | 50V E.C.            | 1 D. 2 D       |          |
|           | 0306090.1   | 2SC1312 (E, F)    |  | C35, 36   | 0601157   | 0.015 $\mu$ F  | 50V M.C.            | 1 D. 2 D       |          |
| TR13, 14  | 0306011.2   | 2SC1222 (E, F)    | 1 B. 2 B                               | C37, 38   | 0512330   | 33 $\mu$ F     | 1 D. 2 D            |                |          |
|           | 0306090.1   | 2SC1312 (F, G)    |  | C39, 40   | 0515339   | 3.3 $\mu$ F    | 50V E.C.            | 1 C. 2 C       |          |
| TR15, 16  | 0306011.2   | 2SC1222 (E, F)    | 1 B. 2 B                               | C41, 42   | 0515339   | 3.3 $\mu$ F    | 50V E.C.            | 1 C. 2 C       |          |
|           | 0306090.1   | 2SC1312 (E, F)    |  | C43, 44   | 0513479   | 4.7 $\mu$ F    | 50V E.C.            | 1 C. 2 C       |          |
| TR17, 18  | 0305951-3   | 2SC945 (Q, P, K)  | 1 A. 2 A                               | C45, 46   | 0515109   | 1 $\mu$ F      | 1 C. 2 C            |                |          |
|           | 0305951-3   | 2SC945 (Q, P, K)  |  | C47, 48   | 0620331   | 330pF          | 50V P.C.            | 1 C. 2 C       |          |
| TR19, 20  | 0305951-3   | 2SC945 (Q, P, K)  | 1 B. 2 B                               | C49, 50   | 0600476   | 0.0047 $\mu$ F | M.C.                | 1 C. 2 C       |          |
| TR601     | 0305951-3   | 2SC945 (Q, P, K)  | 1 D                                    | C51, 52   | 0600827   | 0.082 $\mu$ F  | 1 B. 2 B            |                |          |
| TR602     | 0305951-3   | 2SC945 (Q, P, K)  | 2 D                                    | C53, 54   | 0620331   | 330pF          | 50V P.C.            | 1 B. 2 B       |          |
| TR603     | 0305951-3   | 2SC945 (Q, P, K)  | 1, 2 C                                 | C55, 56   | 0515109   | 1 $\mu$ F      | 50V E.C.            | 1 B. 2 B       |          |
| TR604     | 0305951-3   | 2SC945 (Q, P, K)  |  | C57, 58   | 0573688   | 0.68 $\mu$ F   | 35V T.C.            | 1 B. 2 B       |          |
| FET01, 02 | 0370150.1   | 2SK34 (B, C)      | FET                                    | C59, 60   | 0600158   | 0.15 $\mu$ F   | 1 A. 2 A            |                |          |
| FET03, 04 | 0370150     | 2SK34 (B)         |  | 1 E. 2 E  | C61, 62   | 0600686        | 0.0068 $\mu$ F      | 1 A. 2 A       |          |
| FET05, 06 | 0370151     | 2SK34 (C)         |  | 1 D. 2 A  | C63, 64   | 0600686        | 0.0068 $\mu$ F      | 50V M.C.       | 1 A. 2 A |
| FET07, 08 | 0370151     | 2SK34 (C)         |  | 1 A. 2 A  | C65, 66   | 0600226        | 0.0022 $\mu$ F      | 1 A. 2 A       |          |
| IC01, 02  | 0360110     | CD894A            | IC                                     | C67, 68   | 0601227   | 0.022 $\mu$ F  | 1 A. 2 A            |                |          |
| D01, 02   | 0311160     | 1S2473D           | 1 D. 2 D                               | C69, 70   | 0601476   | 0.0047 $\mu$ F | 1 A. 2 A            |                |          |
| D03, 04   | 0311160     | 1S2473D           | 1 D. 2 D                               | C71, 72   | 0512100   | 10 $\mu$ F     | 16V E.C.            | 1A, B, 2A, B   |          |
| D05, 06   | 0310400     | 1N34A             | 1 A. 2 A                               | C73, 74   | 0600127   | 0.012 $\mu$ F  | 1 B. 2 B            |                |          |
| D07, 08   | 0310400     | 1N34A             | 1 A. 2 A                               | C75, 76   | 0600157   | 0.015 $\mu$ F  | 50V M.C.            | 1 B. 2 B       |          |
| D09, 10   | 0310400     | 1N34A             | 1 A. 2 A                               | C77, 78   | 0600157   | 0.015 $\mu$ F  | 1 B. 2 B            |                |          |
| D11, 12   | 0310400     | 1N34A             | 1 A. 2 A                               | C79, 80   | 0573338   | 0.33 $\mu$ F   | 1 A. 2 A            |                |          |
| D601, 602 | 0310330     | 1N60              | 2 D                                    | C81, 82   | 0573338   | 0.33 $\mu$ F   | 35V T.C.            | 1A, B, 2B      |          |
| D603      | 0311160     | 1S2473D           |  | C83, 84   | 0573338   | 0.33 $\mu$ F   | 1 B. 2 B            |                |          |
| ZD601     | 0316290     | RD-12E(B)         | 1, 2 E                                 | C85, 86   | 0511330   | 33 $\mu$ F     | 10V E.C.            | 1 B. 2 B       |          |
| ZD602     | 0315530     | RD-6A(K)          | 1, 2 A                                 | C87, 88   | 0510470   | 47 $\mu$ F     | 6.3V E.C.           | 1 A. 2 A       |          |
| VR01, 02  | 1035090     | 2.2k $\Omega$ (B) | 1 D. 2 D                               | C91, 92   | 0513221   | 220 $\mu$ F    | 25V E.C.            | 1 C. D. 2 C, D |          |
| VR03, 04  | 1035110     | 4.7k $\Omega$ (B) | Semi-Variable Resistor<br>(Solid Type) | C93, 94   | 0513101   | 100 $\mu$ F    | 1 A. 2 A            |                |          |
| VR09, 10  | 1035150     | 22k $\Omega$ (B)  |  | 1 A. 2 A  | C601      | 0660221        | 220pF               | 50V C.C.       | 1 D      |
| VR11, 12  | 1035150     | 22k $\Omega$ (B)  | 1 B. 2 B                               | C602      | 0660220   | 22pF           | 50V C.C.            | 1 D            |          |
| VR13, 14  | 1032520.1   | 100k $\Omega$ (B) | 1 D. 2 D                               | C603      | 0525109   | 1 $\mu$ F      | 50V E.C.            | 1 D            |          |
| L01, 02   | 4900191     | 100mH             | Ferri-Inductor                         | C604      | 0513479   | 4.7 $\mu$ F    | 25V E.C.            | 2 D            |          |
| LPF601    | 0910240     | VSL-200-6         | Low Pass Filter                        | C605      | 0512330   | 33 $\mu$ F     | 16V E.C.            | 2 C            |          |
| HPF601    | 0910240     | VSL-400           | High Pass Filter                       | C607      | 0512100   | 10 $\mu$ F     | 16V E.C.            |                |          |
| C01, 02   | 0601106     | 0.00 $\mu$ F      | 50V M.C.                               | C901      | 0512330   | 33 $\mu$ F     |                     |                |          |
| C03, 04   | 0660509     | 5pF               | 50V C.C.                               | R01, 02   | 0106105   | 1M $\Omega$    | 1 E. 2 E            |                |          |
| C05, 06   | 0515109     | 1 $\mu$ F         | 50V E.C.                               | R03, 04   | 0106102   | 1M $\Omega$    | 1 E. 2 E            |                |          |
| C07, 08   | 0515109     | 1 $\mu$ F         | 50V E.C.                               | R05, 06   | 0106221   | 220 $\Omega$   | 1 E. 2 E            |                |          |
| C09, 10   | 0660680     | 68pF              | 50V C.C.                               | R07, 08   | 0106123   | 12k $\Omega$   | 1 E. 2 E            |                |          |
| C11, 12   | 0660150     | 15pF              | 50V C.C.                               | R09, 10   | 0106272   | 2.7k $\Omega$  | 1/4 W C.R. (E.L.R.) | 1 E. 2 E       |          |
|           |             |                   |  | R11, 12   | 0106332   | 3.3k $\Omega$  | 1 E. 2 E            |                |          |
|           |             |                   |  | R13, 14   | 0106394   | 390k $\Omega$  | 1 E. 2 E            |                |          |
|           |             |                   |  | R15, 16   | 0106184   | 180k $\Omega$  | 1 E. 2 E            |                |          |
|           |             |                   |  | R17, 18   | 0106472   | 4.7k $\Omega$  | 1 E. 2 E            |                |          |
|           |             |                   |  | R19, 20   | 0107104   | 100k $\Omega$  | 1/4 W C.R.          | 1 D. 2 E       |          |
|           |             |                   |  | R21, 22   | 0106331   | 330 $\Omega$   | 1 E. 2 E            |                |          |
|           |             |                   |  | R23, 24   | 0106472   | 4.7k $\Omega$  | 1/4 W C.R. (E.L.R.) | 1 E. 2 E       |          |
|           |             |                   |  | R25, 26   | 0106471   | 470 $\Omega$   | 1 E. 2 E            |                |          |

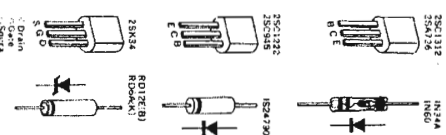
Conductor Side



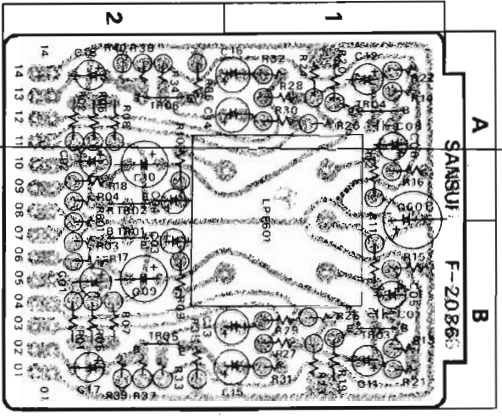
- Abbreviations**
- C.R. : Carbon Resistor
  - M.R. : Metallized Film Resistor
  - B.P.E.C. : Bi-Polar Electrolytic Capacitor
  - S.R. : Solid Resistor
  - M.C. : Mylar Capacitor
  - C.C. : Ceramic Capacitor
  - C.E.R. : Cement Resistor
  - E.C. : Electrolytic Capacitor
  - M.L.C. : Mica Capacitor
  - O.C. : Oil Capacitor
  - P.C. : Polyester Capacitor
  - T.C. : Tantalum Capacitor

Parts List

| Parts No. | Stock No. | Description | Position         | Parts No. | Stock No. | Description | Position         | Parts No. | Stock No. | Description | Position         | Parts No. | Stock No. | Description | Position         |
|-----------|-----------|-------------|------------------|-----------|-----------|-------------|------------------|-----------|-----------|-------------|------------------|-----------|-----------|-------------|------------------|
| R27       | 0106332   | 3.3kΩ       | 1D               | R3.64     | 0106474   | 470kΩ       | 1C.2C            | R103.104  | 0107333   | 3kΩ         | 1/2W C.R.        | R401      | 0107562   | 5.6kΩ       | 1/2W C.R.        |
| R28       | 0106472   | 4.7kΩ       | 2D               | R37.68    | 0106521   | 220Ω        | 1C.2C            | R107.108  | 0106473   | 4.7kΩ       | 1/2W C.R.        | R402      | 0107684   | 680kΩ       | 1/2W C.R.        |
| R31.32    | 0106222   | 2.2kΩ       | 1D.2D            | R39.76    | 0109472   | 4.7kΩ       | 1/2W C.R. (ELLR) | R109.110  | 0106473   | 4.7kΩ       | 1/2W C.R.        | R403      | 0106104   | 100kΩ       | 1/2W C.R. (ELLR) |
| R33.34    | 0106103   | 10kΩ        | 1D.2D            | R71.72    | 0106474   | 470kΩ       | 1C.2C            | R111.112  | 0106473   | 4.7kΩ       | 1/2W C.R.        | R404      | 0107332   | 3.3kΩ       | 1/2W C.R.        |
| R35       | 0107472   | 4.7kΩ       | 1D.E             | R73.74    | 0106473   | 4.7kΩ       | 1C.2C            | R113.114  | 0106563   | 5.6kΩ       | 1/2W C.R.        | R405      | 0106331   | 330Ω        | 1/2W C.R. (ELLR) |
| R37.38    | 0106472   | 4.7kΩ       | 2D               | R75.76    | 0106333   | 33kΩ        | 1C.2C            | R121.122  | 0106473   | 4.7kΩ       | 1/2W C.R.        | R406      | 0106222   | 2.2kΩ       | 1/2W C.R. (ELLR) |
| R39.40    | 0106103   | 10kΩ        | 1E.2DE           | R77.78    | 0106472   | 4.7kΩ       | 1C.2C            | R123.124  | 0106473   | 4.7kΩ       | 1/2W C.R.        | R407      | 0106472   | 4.7kΩ       | 1/2W C.R.        |
| R41.42    | 0106272   | 2.7kΩ       | 1D.2D            | R79.80    | 0106273   | 27kΩ        | 1B.2B            | R125.126  | 0106473   | 4.7kΩ       | 1/2W C.R.        | R408      | 0107562   | 5.6kΩ       | 1/2W C.R.        |
| R43.44    | 0106272   | 2.7kΩ       | 1D.2D            | R81.82    | 0107272   | 2.7kΩ       | 1B.2B            | R127.128  | 0106103   | 10kΩ        | 1/2W C.R.        | R409      | 0106183   | 18kΩ        | 1/2W C.R. (ELLR) |
| R45.46    | 0106564   | 560kΩ       | 1D.2D            | R83.84    | 0107479   | 4.7kΩ       | 1B.2B            | R129.130  | 0106104   | 10kΩ        | 1/2W C.R.        | R410      | 0106820   | 82kΩ        | 1/2W C.R. (ELLR) |
| R47.48    | 0106473   | 4.7kΩ       | 1D.2D            | R85.86    | 0107103   | 10kΩ        | 1B.2B            | R131.132  | 0106682   | 680Ω        | 1/2W C.R. (ELLR) | R411      | 0107392   | 3.9kΩ       | 1/2W C.R.        |
| R49.50    | 0106482   | 6.8kΩ       | 1D.2D            | R87.88    | 0106473   | 4.7kΩ       | 1B.2B            | R133.134  | 0106682   | 680Ω        | 1/2W C.R. (ELLR) | R412      | 0107392   | 3.9kΩ       | 1/2W C.R.        |
| R51.52    | 0106482   | 6.8kΩ       | 1D.2D            | R89.90    | 0106103   | 10kΩ        | 1B.2B            | R135.136  | 0106104   | 10kΩ        | 1/2W C.R.        | R413      | 0107392   | 3.9kΩ       | 1/2W C.R.        |
| R53.54    | 0106883   | 68kΩ        | 1D.2D            | R91.92    | 0106223   | 22kΩ        | 1B.2B            | R137.138  | 0106183   | 18kΩ        | 1/2W C.R.        | R414      | 0107392   | 3.9kΩ       | 1/2W C.R.        |
| R55.56    | 0106104   | 10kΩ        | 1D.2D            | R93.94    | 0106103   | 10kΩ        | 1B.2B            | R139.140  | 0106473   | 4.7kΩ       | 1/2W C.R.        | R415      | 0107562   | 5.6kΩ       | 1/2W C.R.        |
| R57.58    | 0106562   | 5.6kΩ       | 1C.2C            | R95.96    | 0106392   | 3.9kΩ       | 1B.2B            | R141.142  | 0106104   | 10kΩ        | 1/2W C.R.        | R416      | 0107562   | 5.6kΩ       | 1/2W C.R.        |
| R59.60    | 0107223   | 22kΩ        | 1C.2C            | R97.98    | 0106183   | 18kΩ        | 1B.2B            | R143.144  | 0106183   | 18kΩ        | 1/2W C.R.        | R417      | 0107472   | 4.7kΩ       | 1/2W C.R.        |
| R61.62    | 0106333   | 33kΩ        | 1/2W C.R. (ELLR) | R99.100   | 0106394   | 390kΩ       | 1B.2B            | R145.146  | 0106394   | 390kΩ       | 1/2W C.R.        | R418      | 0107394   | 3.9kΩ       | 1/2W C.R.        |
|           |           |             |                  | R101.102  | 0106561   | 560Ω        | 1.5.2B           | R147.148  | 0106102   | 1kΩ         | 1A.2A            | R419      | 0107394   | 3.9kΩ       | 1/2W C.R.        |



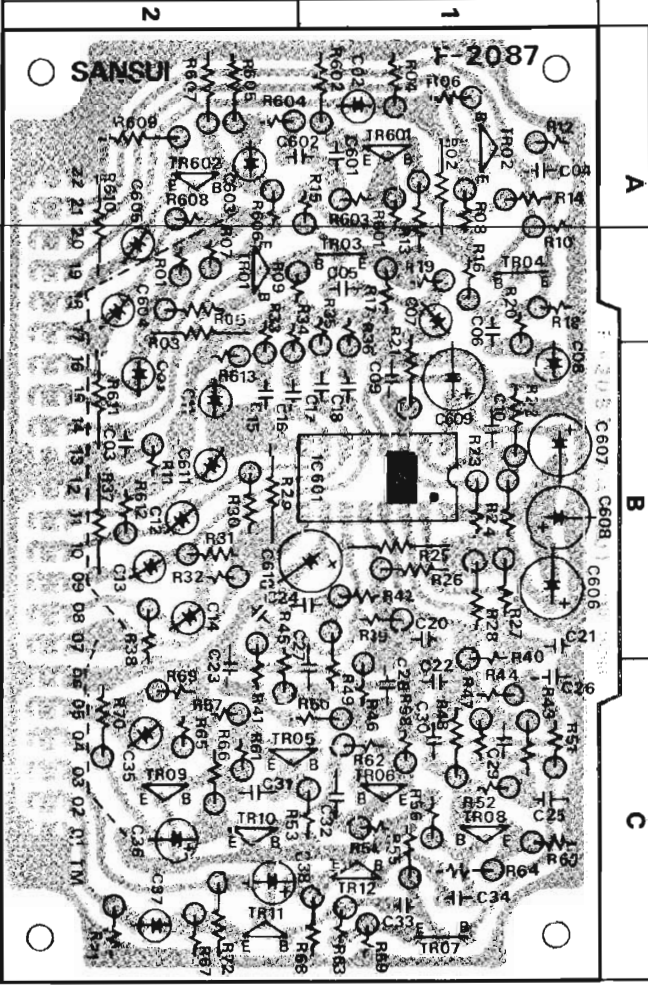
**6-8. F-2086 CD-4 Main Circuit Board**  
(Stock No. 7697290 Complete Circuit Board F-2086)



| Parts No. | Stock No. | Description | Position |
|-----------|-----------|-------------|----------|
|-----------|-----------|-------------|----------|

| Parts No. | Stock No.  | Description               | Position     |
|-----------|------------|---------------------------|--------------|
| TR01, 02  | 0306090, 1 | 2SC1312 (F, G)            | 2B, 2A       |
| TR03, 04  | 0306090, 1 | 2SC1312 (F, G)            | 1B, 1A       |
| TR05, 06  | 0306090, 1 | 2SC1312 (F, G)            | 2B, 2A       |
| LP601     | 0910230    | VSL-200-3 Low Pass Filter | 2A, 1A, B    |
| C01, 02   | 0515109    | 1μF 50V E.C.              | 2B, 2A       |
| C03, 04   | 0513479    | 4.7μF 25V E.C.            | 2B, 2A       |
| C05, 06   | 0515109    | 1μF 50V E.C.              | 1B, 1A       |
| C07, 08   | 0640330    | 33μF 50V C.C.             | 1B, 1A       |
| C09, 10   | 0510101    | 100μF 6.3V E.C.           | 2B, 2A       |
| C11, 12   | 0519105    | 2.2μF                     | 1B, 1A       |
| C13, 14   | 0519102    | 3.3μF 50V E.C. (BRN)      | 1, 2B, 1, 2A |
| C15, 16   | 0519102    | 3.3μF                     | 1, 2B, 1, 2A |
| C17, 18   | 0515109    | 1μF 50V E.C.              | 2B, 2A       |
| C19, 20   | 0513101    | 100μF 25V E.C.            | 1A, 1B       |
| R01, 02   | 0106474    | 470kΩ                     | 2B, 2A       |
| R03, 04   | 0106474    | 270kΩ                     | 2B, 2A       |
| R05, 06   | 0106474    | 270kΩ                     | 2B, 2A       |
| R07, 08   | 0106332    | 3.3kΩ                     | 2B, 2A       |
| R09, 10   | 0106472    | 4.7kΩ                     | 2B, 2A       |
| R11, 12   | 0106472    | 4.7kΩ                     | 2B, 2A       |
| R13, 14   | 0106474    | 270kΩ                     | 1B, 1A       |
| R15, 16   | 0106823    | 82kΩ                      | 1B, 1A       |
| R17, 18   | 0106271    | 270Ω                      | 2B, 2A       |
| R19, 20   | 0106392    | 3.9kΩ                     | 1B, 1A       |
| R21, 22   | 0106822    | 8.2kΩ                     | 1B, 1A       |
| R23, 24   | 0106124    | 120kΩ                     | 1B, 1A       |
| R25, 26   | 0109123    | 12kΩ                      | 1B, 1A       |
| R27, 28   | 0106103    | 10kΩ                      | 1B, 1A       |
| R29, 30   | 0106103    | 10kΩ                      | 1B, 1A       |
| R31, 32   | 0106103    | 10kΩ                      | 1B, 1A       |
| R33, 34   | 0106102    | 1kΩ                       | 2B, 2A       |
| R35, 36   | 0106102    | 1kΩ                       | 2B, 2A       |
| R37, 38   | 0106394    | 390kΩ                     | 2B, 2A       |
| R39, 40   | 0106274    | 270kΩ                     | 2B, 2A       |
| R401      | 0106451    | 150Ω                      | 2A, 1B       |

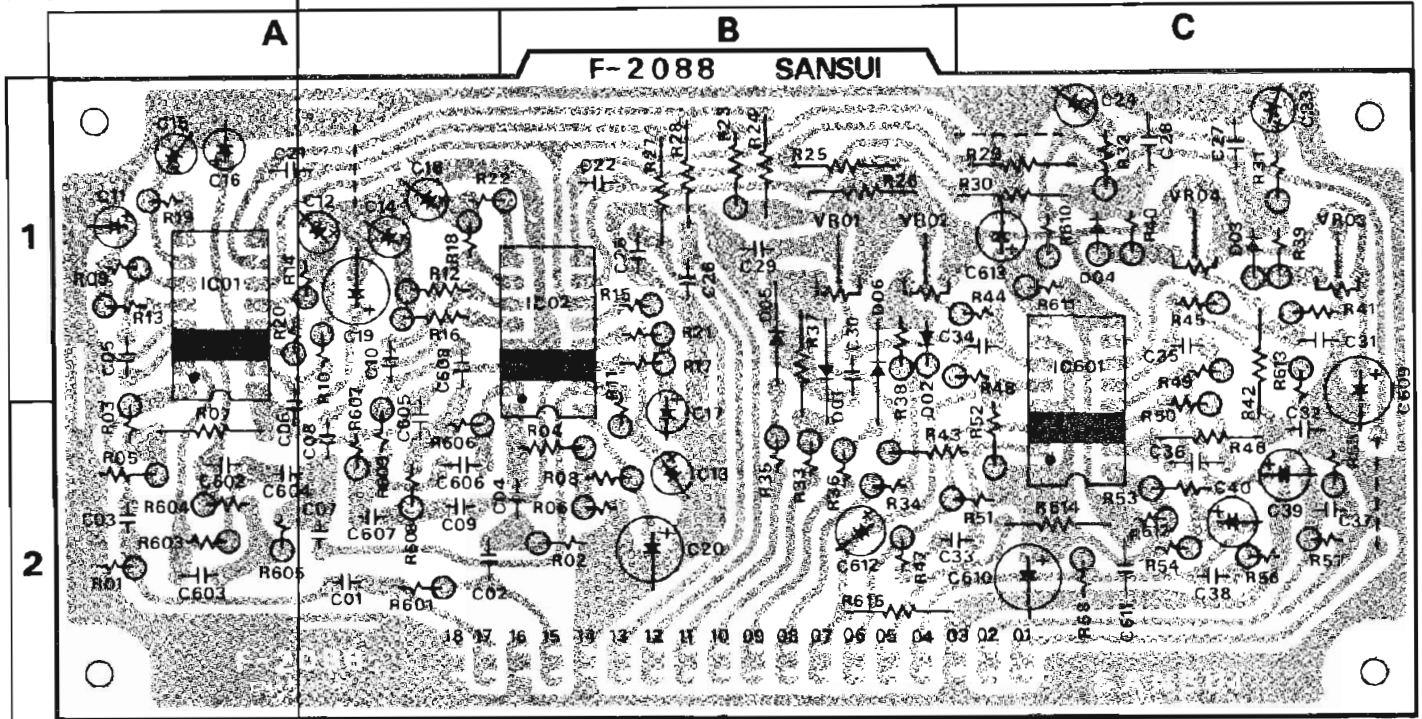
**6-9. F-2087 QS Matrix Circuit Board**  
(Stock No. 7690260 Complete Circuit Board F-2087)



| Parts No. | Stock No. | Description | Position |
|-----------|-----------|-------------|----------|
|-----------|-----------|-------------|----------|

| Parts No. | Stock No.  | Description          | Position   |
|-----------|------------|----------------------|------------|
| TR01, 02  | 0306410, 1 | 2SA726 (F, G)        | 2A, 1A     |
| TR03, 04  | 0306090, 1 | 2SC1312 (F, G)       | 1A         |
| TR05, 06  | 0306091    | 2SC1312 (G)          | 1, 2C, 1C  |
| TR07, 08  | 0306091    | 2SC1312 (G)          | 1C         |
| TR09, 10  | 0306090, 1 | 2SC1312 (F, G)       | 2C         |
| TR11, 12  | 0306090, 1 | 2SC1312 (F, G)       | 2C, 1C     |
| TR401     | 0306090, 1 | 2SC1312 (F, G)       | 1A         |
| TR402     | 0306090, 1 | 2SC1312 (F, G)       | 2A         |
| IC601     | 0340210    | HA-1328 IC           | 1B         |
| C01, 02   | 0515339    | 3.3μF 50V E.C.       | 2B, 1A     |
| C03, 04   | 0600480    | 0.0048μF 50V M.C.    | 2B, 1A     |
| C05, 06   | 0600107    | 0.01μF               | 1A, 1A     |
| C07, 08   | 0519101    | 1μF 50V E.C.         | 1A, 1B     |
| C09       | 0660151    | 150pF 50V C.C.       | 1B         |
| C10       | 0660151    | 150pF                | 1B         |
| C11       | 0513100    | 10μF                 | 2B         |
| C12       | 0513100    | 10μF 25V E.C.        | 2B         |
| C13       | 0513100    | 10μF                 | 2B         |
| C14       | 0513100    | 10μF                 | 2B         |
| C15       | 0600276    | 0.0027μF             | 2B         |
| C16       | 0600276    | 0.0027μF 50V M.C.    | 2B         |
| C17       | 0600276    | 0.0027μF             | 1B         |
| C18       | 0600276    | 0.0027μF             | 1B         |
| C19, 20   | 0620561    | 50pF                 | 1B         |
| C21, 22   | 0620561    | 50pF                 | 1B, 1C     |
| C23, 24   | 0600337    | 0.033μF              | 2B, C1, 2B |
| C25, 26   | 0600337    | 0.033μF              | 1C         |
| C27, 28   | 0600107    | 0.01μF 50V M.C.      | 1B, C, 1C  |
| C29, 30   | 0600107    | 0.01μF               | 1C         |
| C31, 32   | 0600397    | 0.039μF              | 2C, 1C     |
| C33       | 0620561    | 50pF                 | 1C         |
| C34       | 0600276    | 0.0027μF 50V P.C.    | 1C         |
| C35, 36   | 0515339    | 3.3μF 50V M.C.       | 1C         |
| C37, 38   | 0515339    | 3.3μF 50V E.C.       | 2C         |
| C39       | 0600396    | 0.0039μF 50V M.C.    | 1C         |
| C40       | 0600107    | 0.01μF               | 1C         |
| C41       | 0600107    | 0.01μF               | 1, 2A      |
| C42       | 0515339    | 3.3μF 50V E.C.       | 2A         |
| C43       | 0519102    | 3.3μF                | 2A         |
| C44       | 0519102    | 3.3μF 50V E.C. (BRN) | 2A         |
| C45       | 0519102    | 3.3μF                | 2A         |
| C46       | 0511101    | 100μF                | 1B         |
| C47       | 0511470    | 47μF                 | 1B         |
| C48       | 0511101    | 100μF                | 1B         |
| C49       | 0511470    | 100μF 10V E.C.       | 1B         |
| C50       | 0511470    | 100μF                | 1A         |
| C51       | 0511470    | 47μF                 | 1A         |
| C52       | 0511470    | 47μF                 | 1A         |
| C53       | 0511470    | 47μF                 | 1A         |
| C54       | 0511470    | 47μF                 | 1A         |
| C55       | 0511470    | 47μF                 | 1A         |
| C56       | 0511470    | 47μF                 | 1A         |
| C57       | 0511470    | 47μF                 | 1A         |
| C58       | 0511470    | 47μF                 | 1A         |
| C59       | 0511470    | 47μF                 | 1A         |
| C60       | 0511470    | 47μF                 | 1A         |
| C61       | 0511470    | 47μF                 | 1A         |
| C62       | 0511470    | 47μF                 | 1A         |
| C63       | 0511470    | 47μF                 | 1A         |
| C64       | 0511470    | 47μF                 | 1A         |
| C65       | 0511470    | 47μF                 | 1A         |
| C66       | 0511470    | 47μF                 | 1A         |
| C67       | 0511470    | 47μF                 | 1A         |
| C68       | 0511470    | 47μF                 | 1A         |
| C69       | 0511470    | 47μF                 | 1A         |
| C70       | 0511470    | 47μF                 | 1A         |
| C71       | 0511470    | 47μF                 | 1A         |
| C72       | 0511470    | 47μF                 | 1A         |
| C73       | 0511470    | 47μF                 | 1A         |
| C74       | 0511470    | 47μF                 | 1A         |
| C75       | 0511470    | 47μF                 | 1A         |
| C76       | 0511470    | 47μF                 | 1A         |
| C77       | 0511470    | 47μF                 | 1A         |
| C78       | 0511470    | 47μF                 | 1A         |
| C79       | 0511470    | 47μF                 | 1A         |
| C80       | 0511470    | 47μF                 | 1A         |
| C81       | 0511470    | 47μF                 | 1A         |
| C82       | 0511470    | 47μF                 | 1A         |
| C83       | 0511470    | 47μF                 | 1A         |
| C84       | 0511470    | 47μF                 | 1A         |
| C85       | 0511470    | 47μF                 | 1A         |
| C86       | 0511470    | 47μF                 | 1A         |
| C87       | 0511470    | 47μF                 | 1A         |
| C88       | 0511470    | 47μF                 | 1A         |
| C89       | 0511470    | 47μF                 | 1A         |
| C90       | 0511470    | 47μF                 | 1A         |
| C91       | 0511470    | 47μF                 | 1A         |
| C92       | 0511470    | 47μF                 | 1A         |
| C93       | 0511470    | 47μF                 | 1A         |
| C94       | 0511470    | 47μF                 | 1A         |
| C95       | 0511470    | 47μF                 | 1A         |
| C96       | 0511470    | 47μF                 | 1A         |
| C97       | 0511470    | 47μF                 | 1A         |
| C98       | 0511470    | 47μF                 | 1A         |
| C99       | 0511470    | 47μF                 | 1A         |
| C100      | 0511470    | 47μF                 | 1A         |
| C101      | 0511470    | 47μF                 | 1A         |
| C102      | 0511470    | 47μF                 | 1A         |
| C103      | 0511470    | 47μF                 | 1A         |
| C104      | 0511470    | 47μF                 | 1A         |
| C105      | 0511470    | 47μF                 | 1A         |
| C106      | 0511470    | 47μF                 | 1A         |
| C107      | 0511470    | 47μF                 | 1A         |
| C108      | 0511470    | 47μF                 | 1A         |
| C109      | 0511470    | 47μF                 | 1A         |
| C110      | 0511470    | 47μF                 | 1A         |
| C111      | 0511470    | 47μF                 | 1A         |
| C112      | 0511470    | 47μF                 | 1A         |
| C113      | 0511470    | 47μF                 | 1A         |
| C114      | 0511470    | 47μF                 | 1A         |
| C115      | 0511470    | 47μF                 | 1A         |
| C116      | 0511470    | 47μF                 | 1A         |
| C117      | 0511470    | 47μF                 | 1A         |
| C118      | 0511470    | 47μF                 | 1A         |
| C119      | 0511470    | 47μF                 | 1A         |
| C120      | 0511470    | 47μF                 | 1A         |
| C121      | 0511470    | 47μF                 | 1A         |
| C122      | 0511470    | 47μF                 | 1A         |
| C123      | 0511470    | 47μF                 | 1A         |
| C124      | 0511470    | 47μF                 | 1A         |
| C125      | 0511470    | 47μF                 | 1A         |
| C126      | 0511470    | 47μF                 | 1A         |
| C127      | 0511470    | 47μF                 | 1A         |
| C128      | 0511470    | 47μF                 | 1A         |
| C129      | 0511470    | 47μF                 | 1A         |
| C130      | 0511470    | 47μF                 | 1A         |
| C131      | 0511470    | 47μF                 | 1A         |
| C132      | 0511470    | 47μF                 | 1A         |
| C133      | 0511470    | 47μF                 | 1A         |
| C134      | 0511470    | 47μF                 | 1A         |
| C135      | 0511470    | 47μF                 | 1A         |
| C136      | 0511470    | 47μF                 | 1A         |
| C137      | 0511470    | 47μF                 | 1A         |
| C138      | 0511470    | 47μF                 | 1A         |
| C139      | 0511470    | 47μF                 | 1A         |
| C140      | 0511470    | 47μF                 | 1A         |
| C141      | 0511470    | 47μF                 | 1A         |
| C142      | 0511470    | 47μF                 | 1A         |
| C143      | 0511470    | 47μF                 | 1A         |
| C144      | 0511470    | 47μF                 | 1A         |
| C145      | 0511470    | 47μF                 | 1A         |
| C146      | 0511470    | 47μF                 | 1A         |
| C147      | 0511470    | 47μF                 | 1A         |
| C148      | 0511470    | 47μF                 | 1A         |
| C149      | 0511470    | 47μF                 | 1A         |
| C150      | 0511470    | 47μF                 | 1A         |
| C151      | 0511470    | 47μF                 | 1A         |
| C152      | 0511470    | 47μF                 | 1A         |
| C153      | 0511470    | 47μF                 | 1A         |
| C154      | 0511470    | 47μF                 | 1A         |
| C155      | 0511470    | 47μF                 | 1A         |
| C156      | 0511470    | 47μF                 | 1A         |
| C157      | 0511470    | 47μF                 | 1A         |
| C158      | 0511470    | 47μF                 | 1A         |
| C159      | 0511470    | 47μF                 | 1A         |
| C160      | 0511470    | 47μF                 | 1A         |
| C161      | 0511470    | 47μF                 | 1A         |
| C162      | 0511470    | 47μF                 | 1A         |
| C163      | 0511470    | 47μF                 | 1A         |
| C164      | 0511470    | 47μF                 | 1A         |
| C165      | 0511470    | 47μF                 | 1A         |
| C166      | 0511470    | 47μF                 | 1A         |
| C167      | 0511470    | 47μF                 | 1A         |
| C168      | 0511470    | 47μF                 | 1A         |
| C169      | 0511470    | 47μF                 | 1A         |
| C170      | 0511470    | 47μF                 | 1A         |
| C171      | 0511470    | 47μF                 | 1A         |
| C172      | 0511470    | 47μF                 | 1A         |
| C173      | 0511470    | 47μF                 | 1A         |
| C174      | 0511470    | 47μF                 | 1A         |
| C175      | 0511470    | 47μF                 | 1A         |
| C176      | 0511470    | 47μF                 | 1A         |
| C177      | 0511470    | 47μF                 | 1A         |
| C178      | 0511470    | 47μF                 | 1A         |
| C179      | 0511470    | 47μF                 | 1A         |
| C180      | 0511470    | 47μF                 | 1A         |
| C181      | 0511470    | 47μF                 | 1A         |
| C182      | 0511470    | 47μF                 | 1A         |
| C183      | 0511470    | 47μF                 | 1A         |
| C184      | 0511470    | 47μF                 | 1A         |
| C185      | 0511470    | 47μF                 | 1A         |
| C186      | 0511470    | 47μF                 | 1A         |
| C187      | 0511470    | 47μF                 | 1A         |
| C188      | 0511470    | 47μF                 | 1A         |
| C189      | 0511470    | 47μF                 | 1A         |
| C190      | 0511470    | 47μF                 | 1A         |
| C191      | 0511470    | 47μF                 | 1A         |
| C192      | 0511470    | 47μF                 | 1A         |
| C193      | 0511470    | 47μF                 | 1A         |
| C194      | 0511470    | 47μF                 | 1A         |
| C195      | 0511470    | 47μF                 | 1A         |
| C196      | 0511470    | 47μF                 | 1A         |
| C197      | 0511470    | 47μF                 | 1A         |
| C198      | 0511470    | 47μF                 | 1A         |
| C199      | 0511470    | 47μF                 | 1A         |
| C200      | 0511470    | 47μF                 | 1A         |
| C201      | 0511470    | 47μF                 | 1A         |
| C202      | 0511470    | 47μF                 | 1A         |
| C203      | 0511470    | 47μF</               |            |

# 6-10. F-2088 QS Phase Control Circuit Board (Stock No. 7650270 Complete Circuit Board F-2088) Conductor Side



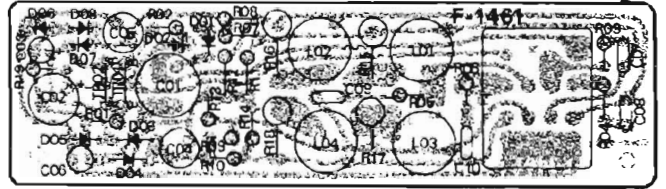
## Parts List

| Parts No. | Stock No. | Description     | Position | Parts No. | Stock No. | Description    | Position         |
|-----------|-----------|-----------------|----------|-----------|-----------|----------------|------------------|
| IC01      | 0360090-1 | HA1327          | 1 A      | C23       | 0515109   | 1 $\mu$ F      | 1 C              |
| IC02      | 0360090-1 | HA1327          | 1 A      | C24       | 0515109   | 1 $\mu$ F      | 1 C              |
| IC601     | 3600100   | HD3103(B)       | 1, 2 C   | C25       | 0600567   | 0.056 $\mu$ F  | 1 B              |
| D01       | 0311160   | 1S2473D         | 1, 2 B   | C26       | 0600567   | 0.056 $\mu$ F  | 1 B              |
| D02       | 0311160   | 1S2473D         | 1 B      | C27       | 0600567   | 0.056 $\mu$ F  | 1 C              |
| D03       | 0311160   | 1S2473D         | 1 C      | C28       | 0600567   | 0.056 $\mu$ F  | 1 C              |
| D04       | 0311160   | 1S2473D         | 1 C      | C29       | 0600107   | 0.01 $\mu$ F   | 1 B              |
| D05       | 0311160   | 1S2473D         | 1 B      | C30       | 0600107   | 0.01 $\mu$ F   | 1 B              |
| D06       | 0311160   | 1S2473D         | 1, 2 B   | C31       | 0600337   | 0.033 $\mu$ F  | 1 C              |
| VR01      | 1035490   | 1M $\Omega$ (B) | 1 B      | C32       | 0600337   | 0.033 $\mu$ F  | 50V M.C.         |
| VR02      | 1035490   | 1M $\Omega$ (B) | 1 B      | C33       | 0600226   | 0.0022 $\mu$ F | 2 B C            |
| VR03      | 1035490   | 1M $\Omega$ (B) | 1 C      | C34       | 0600226   | 0.0022 $\mu$ F | 1 C              |
| VR04      | 1035490   | 1M $\Omega$ (B) | 1 C      | C35       | 0600226   | 0.0022 $\mu$ F | 1 C              |
| C01       | 0600106   | 0.00 $\mu$ F    | 2 A      | C36       | 0600226   | 0.0022 $\mu$ F | 2 C              |
| C02       | 0600106   | 0.00 $\mu$ F    | 2 A      | C37       | 0600187   | 0.018 $\mu$ F  | 2 C              |
| C03       | 0620331   | 33 pF           | 2 A      | C38       | 0600187   | 0.018 $\mu$ F  | 2 C              |
| C04       | 0620331   | 33 pF           | 2 B      | C39       | 0519102   | 2.2 $\mu$ F    | 2 C              |
| C05       | 0600396   | 0.0039 $\mu$ F  | 1 A      | C40       | 0519102   | 2.2 $\mu$ F    | 50V *E.C. (BRN)  |
| C06       | 0600396   | 0.0039 $\mu$ F  | 2 A      | C601      | 0660101   | 100 pF         | 50V C.C.         |
| C07       | 0620681   | 680 pF          | 2 A      | C602      | 0600337   | 0.033 $\mu$ F  | 2 A              |
| C08       | 0620681   | 680 pF          | 2 A      | C603      | 0600337   | 0.033 $\mu$ F  | 50V M.C.         |
| C09       | 0620681   | 680 pF          | 2 A      | C604      | 0620471   | 470 pF         | 50V P.C.         |
| C10       | 0620681   | 680 pF          | 1 A      | C605      | 0600687   | 0.068 $\mu$ F  | 2 A              |
| C11       | 0513479   | 4.7 $\mu$ F     | 1 A      | C606      | 0600687   | 0.068 $\mu$ F  | 50V M.C.         |
| C12       | 0513479   | 4.7 $\mu$ F     | 1 A      | C607      | 0620471   | 470 pF         | 2 A              |
| C13       | 0513479   | 4.7 $\mu$ F     | 2 B      | C608      | 0620471   | 470 pF         | 50V P.C.         |
| C14       | 0513479   | 4.7 $\mu$ F     | 1 A      | C609      | 0513330   | 33 $\mu$ F     | 1, 2 C           |
| C15       | 0513479   | 4.7 $\mu$ F     | 1 A      | C610      | 0513330   | 33 $\mu$ F     | 2 C              |
| C16       | 0513479   | 4.7 $\mu$ F     | 1 A      | C611      | 0660151   | 150 pF         | 50V C.C.         |
| C17       | 0513479   | 4.7 $\mu$ F     | 1, 2 B   | C612      | 0519102   | 2.2 $\mu$ F    | 50V E.C. (E.I.R) |
| C18       | 0513479   | 4.7 $\mu$ F     | 1 A      | C613      | 0513100   | 10 $\mu$ F     | 25V E.C.         |
| C19       | 0513330   | 33 $\mu$ F      | 1 A      | R01       | 0106224   | 220k $\Omega$  | 2 A              |
| C20       | 0513330   | 33 $\mu$ F      | 2 B      | R02       | 0106224   | 220k $\Omega$  | 2 B              |
| C21       | 0600687   | 0.068 $\mu$ F   | 1 A      | R03       | 0106684   | 680k $\Omega$  | 1, 2 A           |
| C22       | 0600687   | 0.068 $\mu$ F   | 1 B      | R04       | 0106684   | 680k $\Omega$  | 2 B              |
|           |           |                 |          | R05       | 0106334   | 330k $\Omega$  | 2 A              |
|           |           |                 |          | R06       | 0106334   | 330k $\Omega$  | 2 B              |
|           |           |                 |          | R07       | 0107684   | 680k $\Omega$  | 1/4 W C.R.       |

## 6-11. F-1461A Protector Circuit Board

(Stock No. 7592220 Complete Circuit Board F-1461A)

### Conductor Side



### Parts List

| Parts No. | Stock No. | Description                                  | Position |
|-----------|-----------|--|----------|
| R08       | 0106684   | 680k $\Omega$                                | 2B       |
| R09       | 0106274   | 270k $\Omega$                                | 1A       |
| R10       | 0106274   | 270k $\Omega$                                | 1A       |
| R11       | 0106334   | 330k $\Omega$                                | 1, 2B    |
| R12       | 0106334   | 330k $\Omega$                                | 1A       |
| R13       | 0106124   | 120k $\Omega$                                | 1A       |
| R14       | 0106124   | 120k $\Omega$ } $\frac{1}{4}$ W C.R. (E.L.R) | 1A       |
| R15       | 0106124   | 120k $\Omega$                                | 1B       |
| R16       | 0106124   | 120k $\Omega$                                | 1A       |
| R17       | 0106334   | 330k $\Omega$                                | 1B       |
| R18       | 0106334   | 330k $\Omega$                                | 1A       |
| R19       | 0106394   | 390k $\Omega$                                | 1A       |
| R20       | 0106394   | 390k $\Omega$                                | 1A       |
| R21       | 0106124   | 120k $\Omega$                                | 1B       |
| R22       | 0106124   | 120k $\Omega$ } $\frac{1}{4}$ W C.R. (E.L.R) | 1A, B    |
| R23       | 0106124   | 120k $\Omega$                                | 1B       |
| R24       | 0107124   | 120k $\Omega$                                | 1B       |
| R25       | 0107124   | 120k $\Omega$                                | 1B       |
| R26       | 0107124   | 120k $\Omega$                                | 1B       |
| R27       | 0107563   | 56k $\Omega$ } $\frac{1}{4}$ W C.R.          | 1B       |
| R28       | 0107563   | 56k $\Omega$                                 | 1B       |
| R29       | 0107563   | 56k $\Omega$                                 | 1C       |
| R30       | 0107563   | 56k $\Omega$                                 | 1C       |
| R31       | 0106563   | 56k $\Omega$                                 | 1C       |
| R32       | 0106563   | 56k $\Omega$                                 | 1C       |
| R33       | 0106474   | 470k $\Omega$ } $\frac{1}{4}$ W C.R. (E.L.R) | 2B       |
| R34       | 0106474   | 470k $\Omega$                                | 2B       |
| R35       | 0106564   | 560k $\Omega$                                | 2B       |
| R36       | 0106564   | 560k $\Omega$                                | 2B       |
| R37       | 0113225   | 2.2M $\Omega$                                | 1B       |
| R38       | 0113225   | 2.2M $\Omega$                                | 1B       |
| R39       | 0113155   | 1.5M $\Omega$ } $\frac{1}{4}$ W S.R.         | 1C       |
| R40       | 0113155   | 1.5M $\Omega$                                | 1C       |
| R41       | 0106334   | 330k $\Omega$ } $\frac{1}{4}$ W C.R. (E.L.R) | 1C       |
| R42       | 0107334   | 330k $\Omega$ } $\frac{1}{4}$ W C.R.         | 1, 2C    |
| R43       | 0106105   | 1M $\Omega$                                  | 2B       |
| R44       | 0106105   | 1M $\Omega$ } $\frac{1}{4}$ W C.R. (E.L.R)   | 1B, C    |
| R45       | 0106105   | 1M $\Omega$                                  | 1C       |
| R46       | 0107105   | 1M $\Omega$ } $\frac{1}{4}$ W C.R.           | 2C       |
| R47       | 0106104   | 100k $\Omega$                                | 2B       |
| R48       | 0106104   | 100k $\Omega$                                | 1B, C    |
| R49       | 0106104   | 100k $\Omega$                                | .2C      |
| R50       | 0106104   | 100k $\Omega$ } $\frac{1}{4}$ W C.R. (E.L.R) | 2C       |
| R51       | 0106123   | 12k $\Omega$                                 | 2B, C    |
| R52       | 0106123   | 12k $\Omega$                                 | 2C       |
| R53       | 0106153   | 15k $\Omega$                                 | 2C       |
| R54       | 0106153   | 15k $\Omega$                                 | 2C       |
| R55       | 0106561   | 560 $\Omega$                                 | 2C       |
| R56       | 0106561   | 560 $\Omega$                                 | 2C       |
| R57       | 0106333   | 33k $\Omega$                                 | 2C       |
| R58       | 0106333   | 33k $\Omega$                                 | 2C       |
| R601      | 0106224   | 220k $\Omega$                                | 2A       |
| R603      | 0106682   | 6.8k $\Omega$                                | 2A       |
| R604      | 0106682   | 6.8k $\Omega$                                | 2A       |
| R605      | 0106333   | 33k $\Omega$ } $\frac{1}{4}$ W C.R. (E.L.R)  | 2A       |
| R606      | 0106682   | 6.8k $\Omega$                                | 2A       |
| R607      | 0106682   | 6.8k $\Omega$                                | 2A       |
| R608      | 0106683   | 68k $\Omega$                                 | 2A       |
| R609      | 0106683   | 68k $\Omega$                                 | 2A       |
| R610      | 0106472   | 4.7k $\Omega$                                | 1C       |
| R611      | 0106272   | 2.7k $\Omega$                                | 1C       |
| R612      | 0106223   | 22k $\Omega$                                 | 2C       |
| R613      | 0106103   | 10k $\Omega$                                 | 1, 2C    |
| R614      | 0107272   | 2.7k $\Omega$ } $\frac{1}{4}$ W C.R.         | 2C       |
| R615      | 0107104   | 100k $\Omega$                                | 2B       |

| Parts No. | Stock No.  | Description                                 |
|-----------|------------|---|
| TR01      | 0306132, 3 | 2SC1364 (7, 8) } Transistor                 |
| TR02      | 0306132, 3 | 2SC1364 (7, 8) }                            |
| D01       | 0310340    | 10D-1 } Diode                               |
| D02       | 0310340    | 10D-1 }                                     |
| D03       | 0310400    | 1N34A }                                     |
| D04       | 0310400    | 1N34A }                                     |
| D05       | 0310400    | 1N34A }                                     |
| D06       | 0310400    | 1N34A }                                     |
| D07       | 0310400    | 1N34A }                                     |
| D08       | 0310400    | 1N34A }                                     |
| L01       | 4290210    | 2.5 $\mu$ H Inductor Coil                   |
| L02       | 4290210    | 2.5 $\mu$ H Inductor Coil                   |
| L03       | 4290210    | 2.5 $\mu$ H Inductor Coil                   |
| L04       | 4290210    | 2.5 $\mu$ H Inductor Coil                   |
| RL601     | 1150101    | MY4-00S-S4 Relay                            |
| C01       | 0515330    | 33 $\mu$ F 50V E.C.                         |
| C02       | 0510471    | 470 $\mu$ F 6.3V E.C.                       |
| C03       | 0515109    | 1 $\mu$ F 50V E.C.                          |
| C04       | 0530470    | 47 $\mu$ F } 6.3V BP.E.C.                   |
| C05       | 0530470    | 47 $\mu$ F }                                |
| C06       | 0535109    | 1 $\mu$ F 50V BP.E.C.                       |
| C07       | 0601108    | 0.1 $\mu$ F } 50V M.C.                      |
| C08       | 0601108    | 0.1 $\mu$ F }                               |
| C09       | 0601108    | 0.1 $\mu$ F }                               |
| C10       | 0601108    | 0.1 $\mu$ F }                               |
| R01       | 0106100    | 10 $\Omega$ } $\frac{1}{4}$ W C.R. (E.L.R)  |
| R03       | 0111100    | 10 $\Omega$ }                               |
| R04       | 0111100    | 10 $\Omega$ } $\frac{1}{2}$ W C.R.          |
| R05       | 0111100    | 10 $\Omega$ }                               |
| R06       | 0111100    | 10 $\Omega$ }                               |
| R07       | 0106473    | 47k $\Omega$ } $\frac{1}{4}$ W C.R. (E.L.R) |
| R08       | 0106473    | 47k $\Omega$ }                              |
| R09       | 0106473    | 47k $\Omega$ }                              |
| R10       | 0106473    | 47k $\Omega$ }                              |
| R11       | 0106332    | 3.3k $\Omega$ }                             |
| R12       | 0106332    | 3.3k $\Omega$ }                             |
| R13       | 0106332    | 3.3k $\Omega$ }                             |
| R14       | 0106332    | 3.3k $\Omega$ }                             |
| R15       | 0111689    | 68 $\Omega$ } $\frac{1}{2}$ W C.R.          |
| R16       | 0111689    | 68 $\Omega$ }                               |
| R17       | 0111689    | 68 $\Omega$ }                               |
| R18       | 0111689    | 68 $\Omega$ }                               |
| R19       | 0106562    | 5.6k $\Omega$ } $\frac{1}{4}$ W C.R.        |

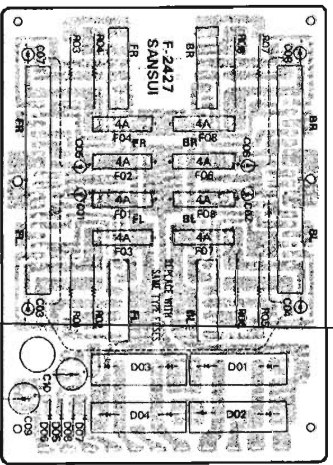
### Abbreviations

|       |                            |          |                                 |
|-------|----------------------------|----------|---------------------------------|
| C.R.  | : Carbon Resistor          | BP.E.C.: | Bi-Polar Electrolytic Capacitor |
| S.R.  | : Solid Resistor           | C.C.     | : Ceramic capacitor             |
| Ce.R. | : Cement Resistor          | Mi.C.    | : Mica Capacitor                |
| M.R.  | : Metallized Film Resistor | O.C.     | : Oil Capacitor                 |
| M.C.  | : Mylar Capacitor          | P.C.     | : Polystyrene Capacitor         |
| E.C.  | : Electrolytic Capacitor   | T.C.     | : Tantalum Capacitor            |



6-12. F-2427 Power Circuit Board (Stock No. 7500930 Complete Circuit Board F-2427)

Conductor Side

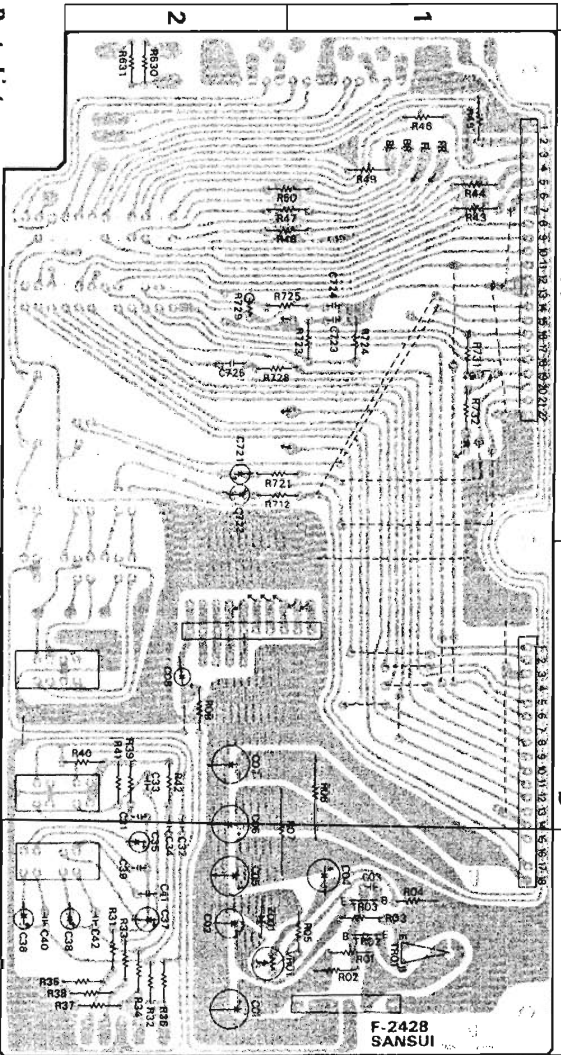


Parts List

Table with 3 columns: Parts No., Stock No., and Description. Lists components for the F-2427 board, including resistors (R1-R10), capacitors (C1-C10), diodes (D1-D8), and a fuse (F1).

6-13. F-2428 Filter & Power Supply Circuit Board (Stock No. 7592210 Complete Circuit Board F-2428)

Conductor Side

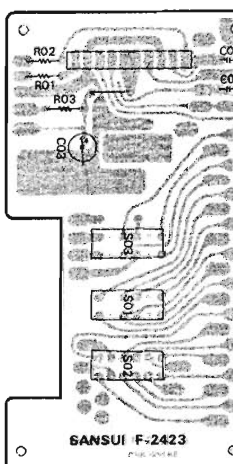


Parts List

Table with 3 columns: Parts No., Stock No., and Description. Lists components for the F-2428 board, including resistors (R1-R40), capacitors (C1-C10), transistors (TR1, TR2), and a fuse (F1).

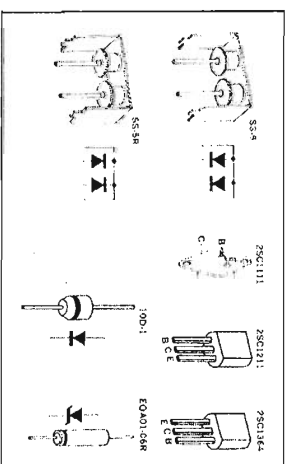
6-14. F-2423 Filter & Switch Circuit Board

Conductor Side



Parts List

Table with 3 columns: Parts No., Stock No., and Description. Lists components for the F-2423 board, including resistors (R1-R3), capacitors (C1-C3), and a switch (S01).

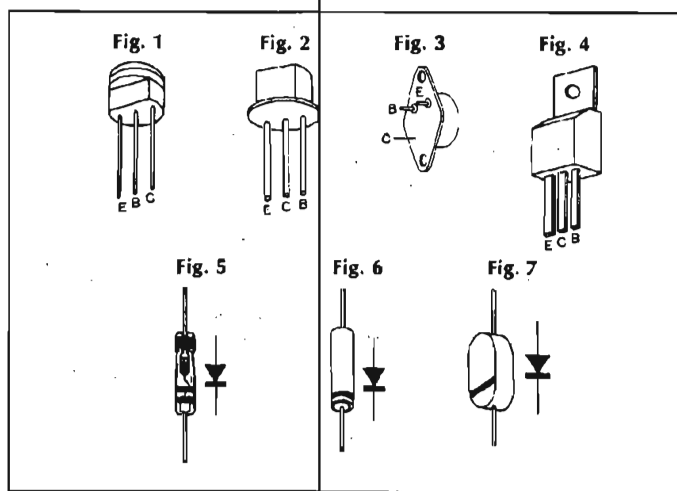


Abbreviations

- List of abbreviations: C.R. (Carbon Resistor), S.R. (Solid Resistor), C.e.R. (Cermet Resistor), M.R. (Metalized Film Resistor), M.C. (Mylar Capacitor), E.C. (Electrolytic Capacitor), B.P.E.C. (Bipolar Electrolytic Capacitor), C.C. (Ceramic Capacitor), M.I.C. (Mica Capacitor), P.C. (Polystyrene Capacitor), T.C. (Tantalum Capacitor).

## 6-15. Interchangeability of Transistor and Diode

| ORIGINAL |        | SUBSTITUTES |          |        |
|----------|--------|-------------|----------|--------|
| Name     | Use    | Name        | Stock No | Figure |
| 25C930   | F-1519 | 25C1047     | 0305800  | 1      |
| 25C711   | F-1507 | 25C1000     | 0305880  | 2      |
| 25C1111  | F-2428 | 25C793      | 0305450  | 3      |
| 25C1211  | F-2428 | 25C1124     | 0305900  | 4      |
| 25C945   | F-2090 | 25C1000     | 0305880  | 2      |
| 25C1222  | F-2090 | 25C1000     | 0305880  | 2      |
| 25C1111  | Power  | 25C793      | 0305450  | 3      |
| IN60P    | F-1507 | IN34A(YEL)  | 0310401  | 5      |
| IS2473   | F-2088 | IS953       | 0311050  | 6      |
| 10D-1    | F-1461 | S-1.5-02    | 0310960  | 7      |



## 6-16. Other Parts (Top Side) Parts List

| Parts No. | Stock No. | Description                         |
|-----------|-----------|-------------------------------------|
| TR701     | 0305830-2 | 25C1111 (R, O, Y)                   |
| TR702     | 0305830-2 | 25C1111 (R, O, Y)                   |
| TR703     | 0305830-2 | 25C1111 (R, O, Y)                   |
| TR704     | 0305830-2 | 25C1111 (R, O, Y)                   |
| TR705     | 0305830-2 | 25C1111 (R, O, Y)                   |
| TR706     | 0305830-2 | 25C1111 (R, O, Y)                   |
| TR707     | 0305830-2 | 25C1111 (R, O, Y)                   |
| TR708     | 0305830-2 | 25C1111 (R, O, Y)                   |
| L701      | 5266041   | Holder, Bar Antenna                 |
|           | 4200680   | Bar Antenna (ARS-28A)               |
| C703      | 0559360   | 10000 $\mu$ F } 50V E.C.            |
| C704      | 0559360   | 10000 $\mu$ F } 50V E.C.            |
| C705      | 0559590   | 1000 $\mu$ F 63V E.C.               |
| PT01      | 4002150   | Power Transformer                   |
| PU01      | 2410080   | Voltage Selector, socket            |
|           | 2410090   | Voltage Selector, plug              |
|           | 3800020   | Power Cord                          |
|           |           | F-2426 Protector Circuit Board      |
| TS701     | 0320110   | TS3-85 Thermistor                   |
| R01       | 0107223   | 22k $\Omega$ } $\frac{1}{4}$ W C.R. |
| R02       | 0107823   | 82k $\Omega$ } $\frac{1}{4}$ W C.R. |

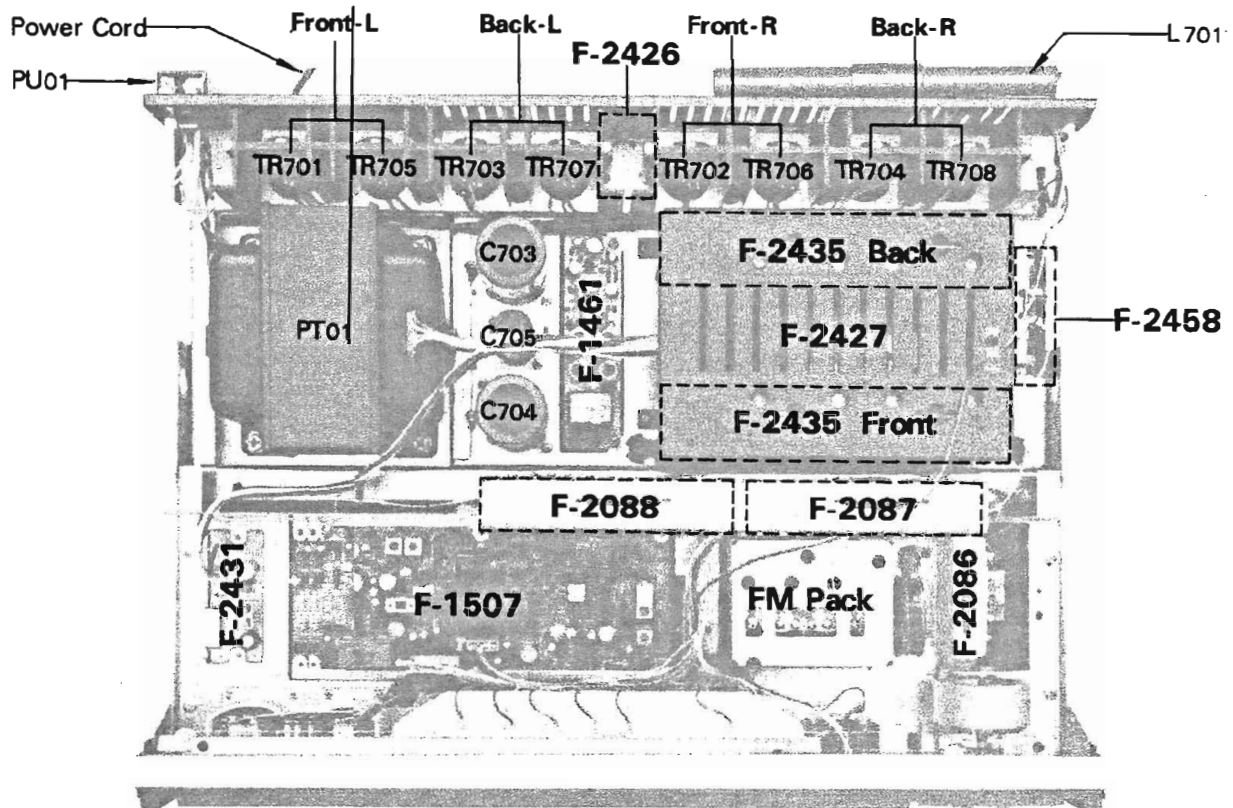
## 6-17. Other Parts (Bottom Side) Parts List

| Parts No. | Stock No.  | Description                          |
|-----------|------------|--------------------------------------|
| L702      | 4290021    | 75 : 300 $\Omega$ FM Balun           |
| C701      | 0605337    | 0.033 $\mu$ F } 250V Me.C.           |
| C702      | 0605476    | 0.0047 $\mu$ F } 250V Me.C.          |
| R701      | 0107122    | 1.2k $\Omega$ $\frac{1}{4}$ W C.R.   |
| R702      | 0171391    | 390 $\Omega$ } 1W M.R.               |
| R703      | 0171391    | 390 $\Omega$ } 1W M.R.               |
| R704      | 0171391    | 390 $\Omega$ } 1W M.R.               |
| R705      | 0171391    | 390 $\Omega$ } 1W M.R.               |
| R711      | 0107224    | 220k $\Omega$ } $\frac{1}{4}$ W C.R. |
| R712      | 0107224    | 220k $\Omega$ } $\frac{1}{4}$ W C.R. |
| R713      | 0107104    | 100k $\Omega$ } $\frac{1}{4}$ W C.R. |
| R714      | 0107104    | 100k $\Omega$ } $\frac{1}{4}$ W C.R. |
| F701      | 0431300, 2 | 7A (100~117V) } Power Fuse           |
|           | 0431270, 2 | 4A (220~240V) } Power Fuse           |
|           | 2300060    | Fuse Holder                          |
| CO701     | 2450060    | } AC Outlet                          |
| CO702     | 2450060    |                                      |
|           | 2430040    | DIN Connector                        |
|           | 2200350    | 10P Input Terminal                   |
|           | 2200400    | 3P Input Terminal                    |
|           | 2210190    | Antenna Terminal                     |
|           | 2290100    | Speaker Terminal                     |
|           | 2230050    | Ground Terminal                      |

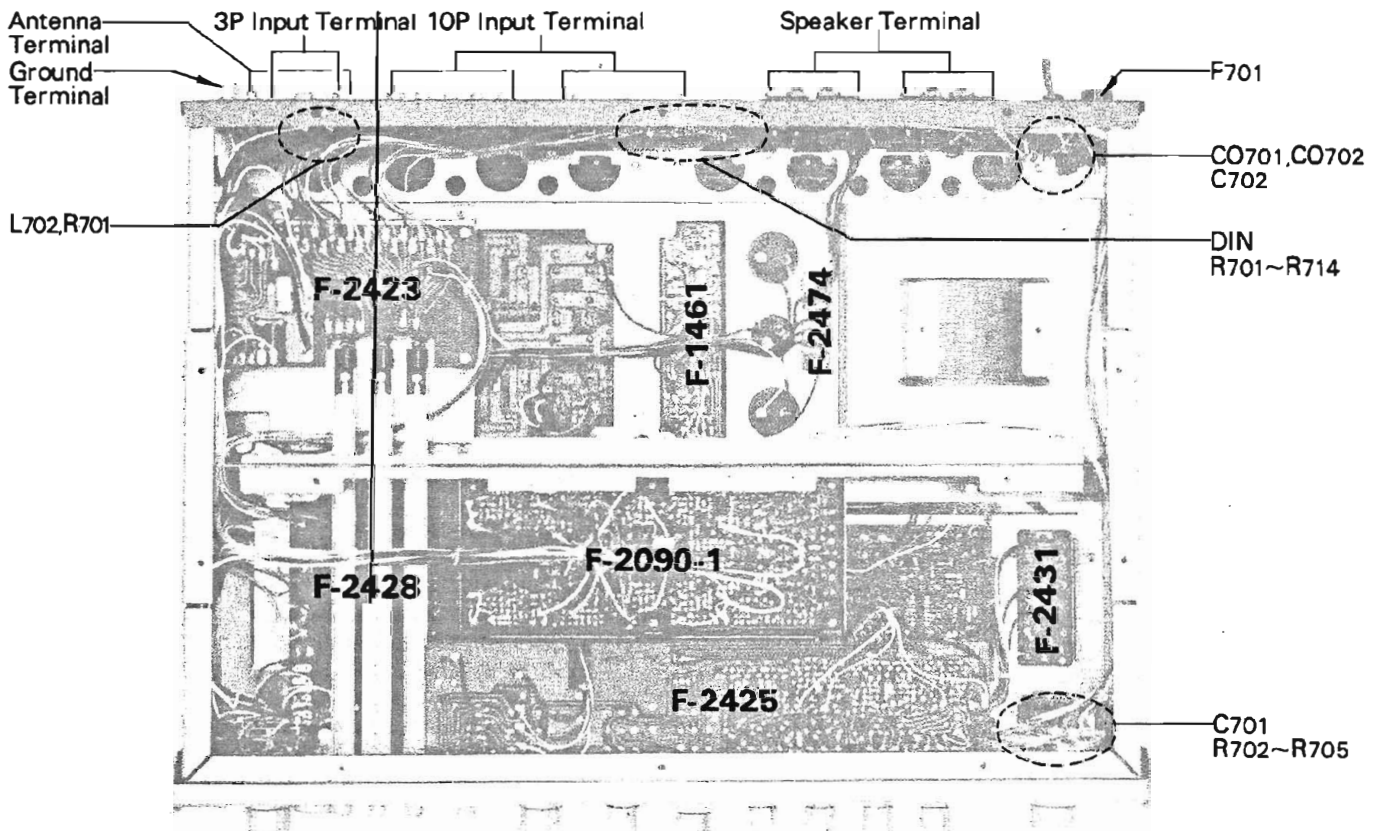
### —Abbreviations—

|       |                            |          |                                 |
|-------|----------------------------|----------|---------------------------------|
| C.R.  | : Carbon Resistor          | BP.E.C.: | Bi-Polar Electrolytic Capacitor |
| S.R.  | : Solid Resistor           | C.C.     | : Ceramic capacitor             |
| Ce.R. | : Cement Resistor          | MI.C.    | : Mica Capacitor                |
| M.R.  | : Metallized Film Resistor | O.C.     | : Oil Capacitor                 |
| M.C.  | : Mylar Capacitor          | P.C.     | : Polystyrene Capacitor         |
| E.C.  | : Electrolytic Capacitor   | T.C.     | : Tantalum Capacitor            |

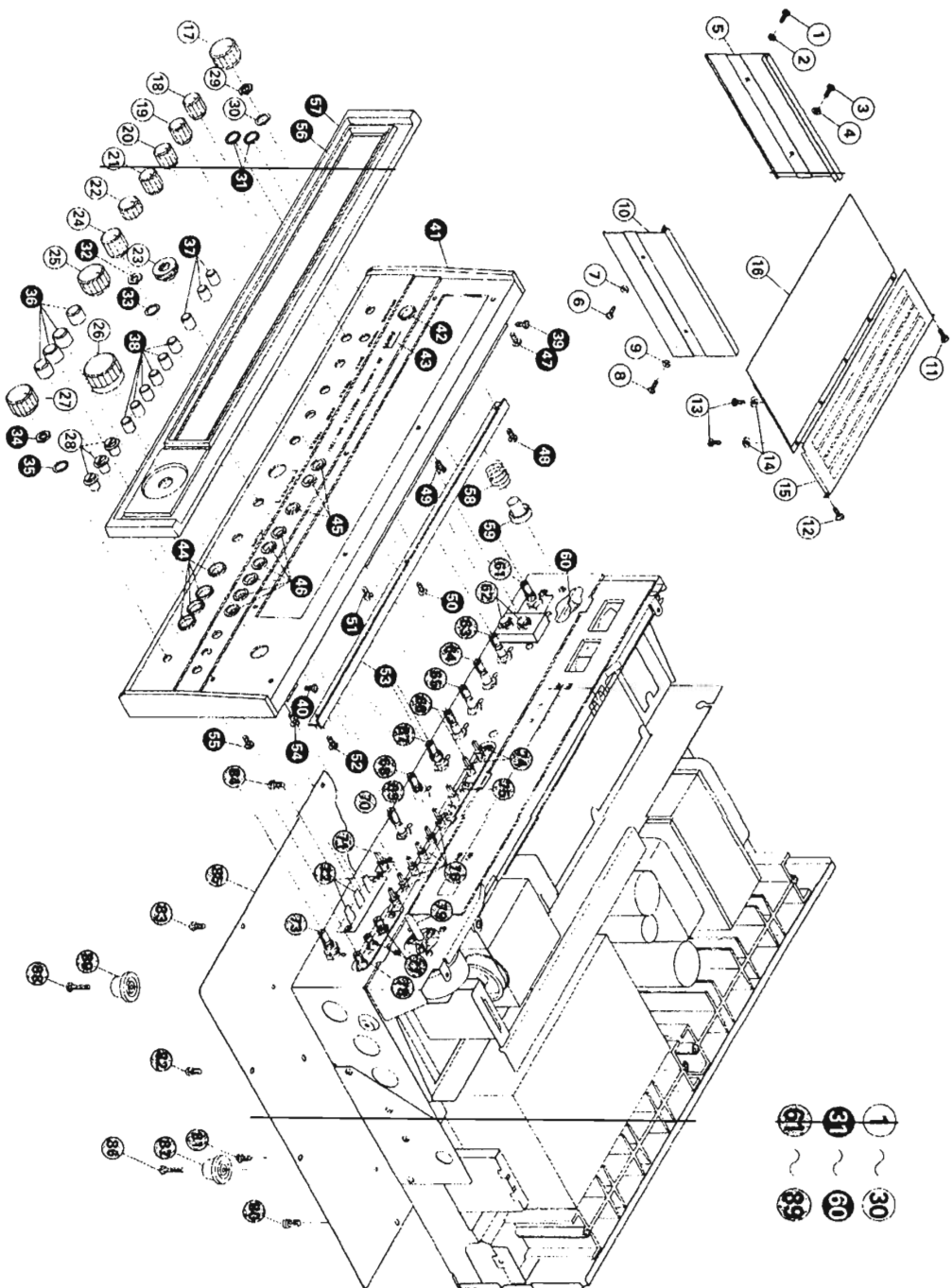
### Top Side



### Bottom Side



6-18. Other Parts (Front Side)

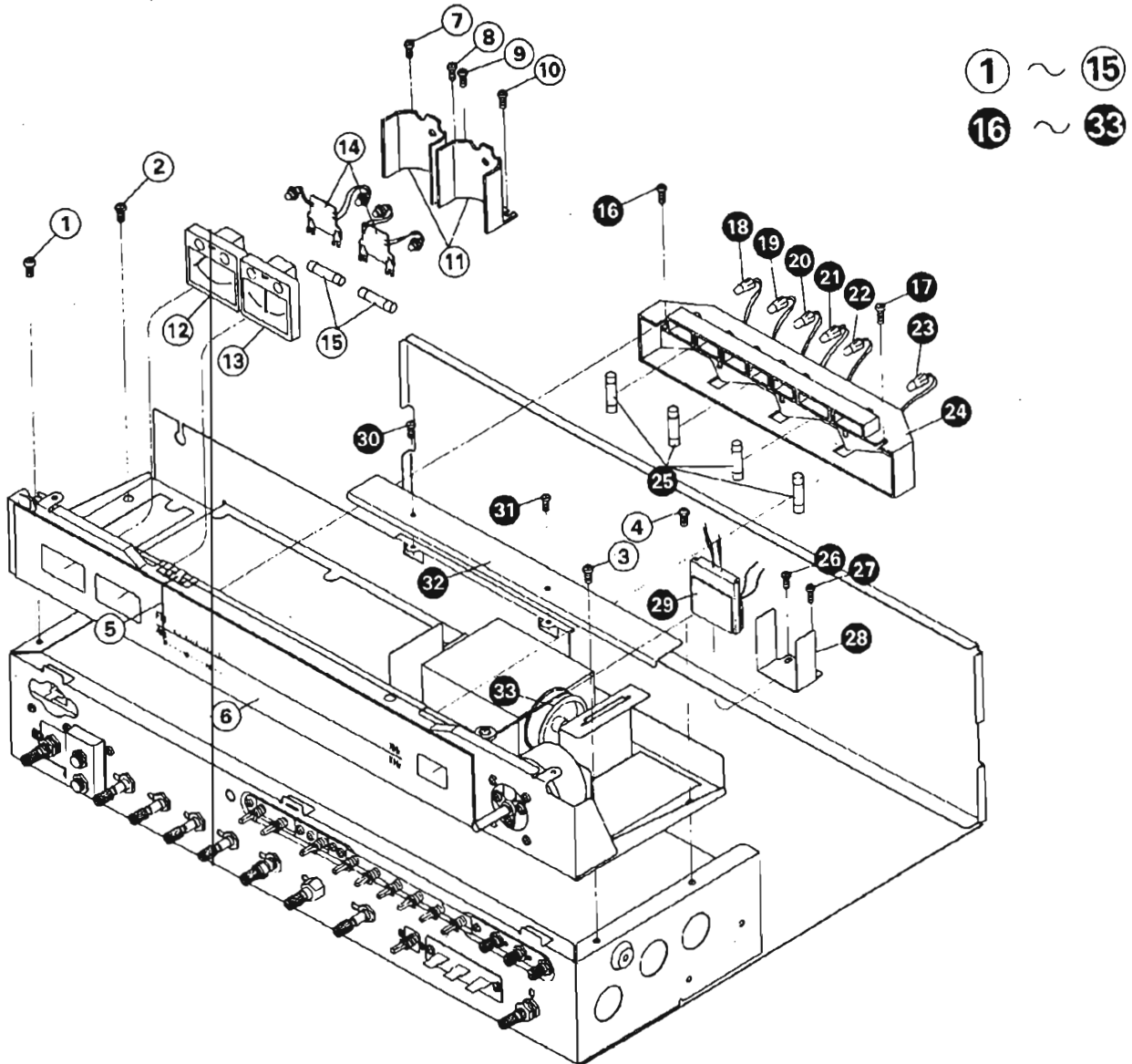


Parts List (Section 1)

| Parts No. | Stock No. | Description                            |
|-----------|-----------|--|
| 1         | 5104162   | Oval Countersunk Head Screw, M4 X 8    |
| 2         | 5123060   | Corrugated Washer, M4 X 8              |
| 3         | 5104162   | Oval Countersunk Head Screw, M4 X 8    |
| 4         | 5123060   | Corrugated Washer, M4 X 8              |
| 5         | 5309400   | Side Panel                             |
| 6         | 5104162   | Oval Countersunk Head Screw, M4 X 8    |
| 7         | 5123060   | Corrugated Washer, M4 X 8              |
| 8         | 5104162   | Oval Countersunk Head Screw, M4 X 8    |
| 9         | 5123060   | Corrugated Washer, M4 X 8              |
| 10        | 5309400   | Side Panel                             |
| 11        | 5109222   | Binding Head Tapping Screw, 3 X 8      |
| 12        | 5109222   | Binding Head Tapping Screw, 3 X 8      |
| 13        | 5101063   | Binding Head Screw, M4 X 10            |
| 14        | 5120162   | Washer, M4 X 10                        |
| 15        | 5058250   | Top Cover (Metal)                      |
| 16        | 5726880   | Top Cover (Wood)                       |
| 17        | 5317730   | M-3 Type Knob, SPEAKERS                |
| 18        | 5318060   | M-8 Type Knob, BASS volume             |
| 19        | 5318060   | M-8 Type Knob, TREBLE volume           |
| 20        | 531806C   | S-8 Type Knob, BASS volume             |
| 21        | 5318060   | S-8 Type Knob, TREBLE volume           |
| 22        | 5317760   | W-12 Type Knob, BALANCE volume (Front) |
| 23        | 5317671   | W-11 Type Knob, BALANCE volume (Back)  |
| 24        | 5317740   | W-3 Type Knob, BALANCE volume          |
| 25        | 5317730   | M-B Type Knob, VOLUME                  |
| 26        | 5318051   | T-6 Type Knob, TUNING                  |
| 27        | 5317730   | M-B Type Knob, SELECTOR                |
| 28        | 5318030   | Knob, CD-4 volume                      |
| 29        | 5110781   | Hex. Nut, M9                           |
| 30        | 5120184   | Plain Washer, M9 X 6                   |

| Parts No. | Stock No. | Description                                   |
|-----------|-----------|---|
| 31        | 5176052   | Nut, Jack                                     |
| 32        | 5110781   | Hex. Nut, M9                                  |
| 33        | 5120184   | Plain Washer, M9 X 6                          |
| 34        | 5110781   | Hex. Nut, M9                                  |
| 35        | 5120184   | Plain Washer, M9 X 6                          |
| 36        | 5326490   | Push Button                                   |
| 37        | 5326430   | Push Button                                   |
| 38        | 5326430   | Push Button                                   |
| 39        | 5102543   | Flat Countersunk Head Screw, M3 X 6           |
| 40        | 5102543   | Flat Countersunk Head Screw, M3 X 6           |
| 41        | 7007010   | Front Panel Assy                              |
| 42        | 5186070   | Knob Ring                                     |
| 43        | 5336500   | Mort., Sansui                                 |
| 44        | 5396190   | Knob Ring                                     |
| 45        | 5396200   | Knob Ring                                     |
| 46        | 5396200   | Knob Ring                                     |
| 47        | 5109122   | Binding Head Tapping Screw, 3 X 8             |
| 48        | 5109122   | Binding Head Tapping Screw, 3 X 8             |
| 49        | 5109122   | Binding Head Tapping Screw, 3 X 8             |
| 50        | 5109122   | Binding Head Tapping Screw, 3 X 8             |
| 51        | 5109122   | Binding Head Tapping Screw, 3 X 8             |
| 52        | 5109122   | Binding Head Tapping Screw, 3 X 8             |
| 53        | 5286010   | Stopper, Grass Plate                          |
| 54        | 5109122   | Binding Head Tapping Screw, 3 X 8             |
| 55        | 5109122   | Binding Head Tapping Screw, 3 X 8             |
| 56        | 5047780   | Gross Plate                                   |
| 57        | 5309390   | Frame, Gross Plate                            |
| 58        | 6906031   | Spring, POWER Switch                          |
| 59        | 7106083   | Push Button, POWER Switch                     |
| 60        | 1130350   | Rotary Switch, POWER                          |
| 61        | 1102580.1 | Rotary Switch Y-2-4+4, SPEAKERS               |
| 62        | 2420000   | Headphone Jack                                |
| 63        | 1010930.1 | 100Ω (B) X 2, BASS Volume                     |
| 64        | 1010930.1 | 100Ω (B) X 2, TREBLE Volume                   |
| 65        | 1010930.1 | 100Ω (B) X 2, BASS Volume                     |
| 66        | 1010930.1 | 100Ω (B) X 2, TREBLE Volume                   |
| 67        | 1060350.1 | 250Ω (MN) X 4, BALANCE Volume (Dual Shaft V8) |
| 68        | 1060350.1 | 250Ω (MN) X 4, BALANCE Volume                 |
| 69        | 5236450   | Spacer Nut, M8 X 11.5                         |
| 70        | 1060340.1 | 250Ω (B) X 4, VOLUME                          |
| 71        | 1130960   | Push Switch, LOUDNESS                         |
| 72        | 1130940   | Push Switch (3 Stage), TAPE MON. AUX          |
| 73        | 1102600.1 | Rotary Switch Y-2-5-4, SELECTOR               |
| 74        | 1130950   | Push Switch (2 Stage), LOW, HIGH              |
| 75        | 1130970   | Push Switch, FUS BACK                         |
| 76        | 1130930   | Push Switch (6 Stage), FUNCTION               |
| 77        | 1005180   | 50K (C), CD-4 SEPARATION Volume               |
| 78        | 1015120   | 10K (B), CD-4 CARRIER LEVEL volume            |
| 79        | 7036361   | Tuning Assy                                   |
| 80        | 5101161   | Binding Head Screw, M4 X 6                    |
| 81        | 5101161   | Binding Head Screw, M4 X 6                    |
| 82        | 5101161   | Binding Head Screw, M4 X 6                    |
| 83        | 5101161   | Binding Head Screw, M4 X 6                    |
| 84        | 5101161   | Binding Head Screw, M4 X 6                    |
| 85        | 5058240   | Binding Head Screw, M4 X 6                    |
| 86        | 5100665   | Binding Head Tapping Screw, 4 X 16            |
| 87        | 5516821   | Foot  |
| 88        | 5100665   | Binding Head Tapping Screw, 4 X 16            |
| 89        | 5516821   | Foot  |

## 6-19. Other Parts (Front Side)

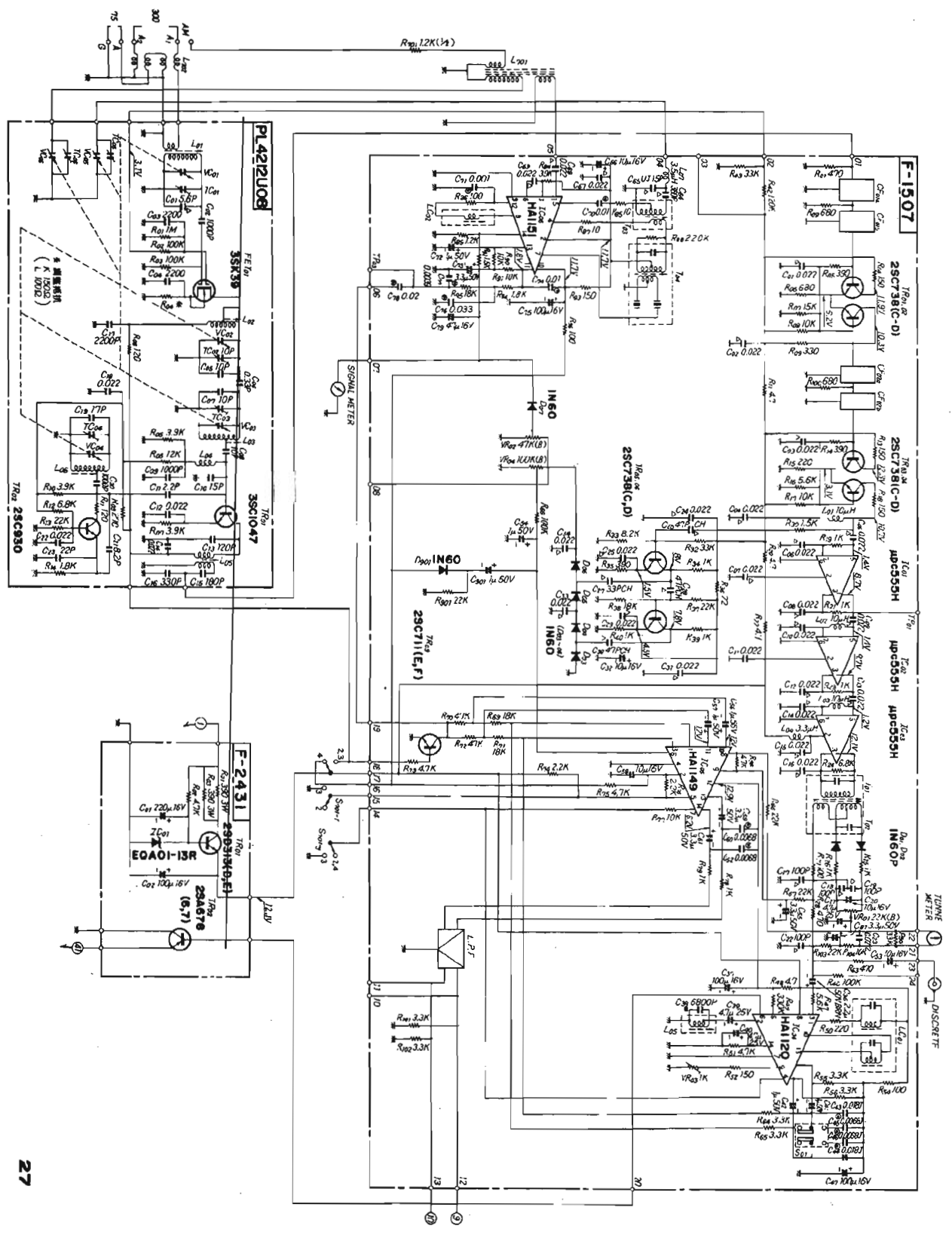


### Parts List (Section 2)

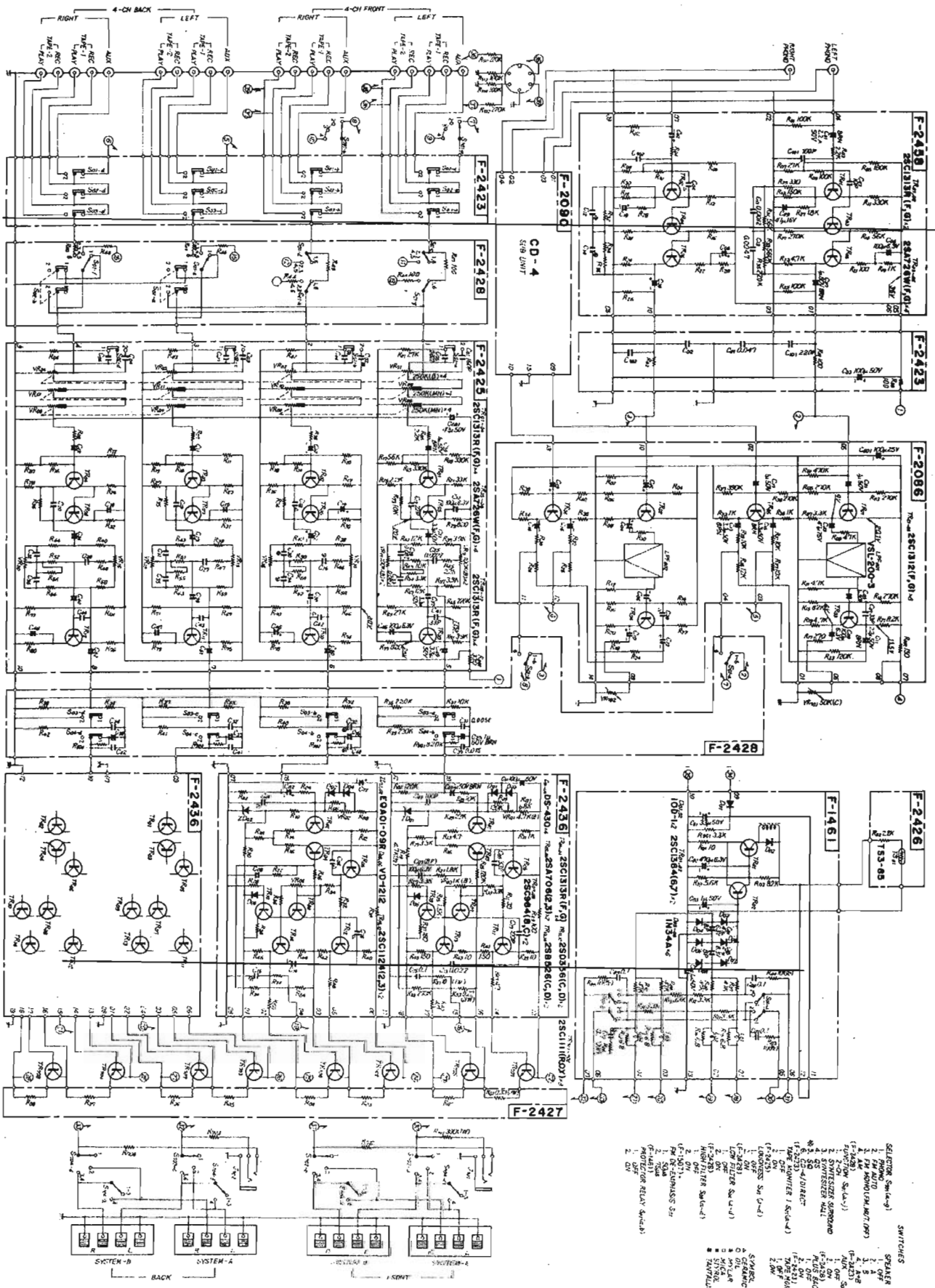
| Parts No. | Stock No.  | Description                    |
|-----------|------------|--------------------------------|
| 1         | 5101061    | Binding Head Screw, M4×6       |
| 2         | 5101061    | Binding Head Screw, M4×6       |
| 3         | 5101061    | Binding Head Screw, M4×6       |
| 4         | 5101061    | Binding Head Screw, M4×6       |
| 5         | {5516030   | Teflon Sheet                   |
|           | {5416390   | Dial Pointer                   |
| 6         | 5407772    | Dial Scale                     |
| 7         | 5166460    | Washer Head Tapping Screw, 3×8 |
| 8         | 5166460    | Washer Head Tapping Screw, 3×8 |
| 9         | 5166460    | Washer Head Tapping Screw, 3×8 |
| 10        | 5166460    | Washer Head Tapping Screw, 3×8 |
| 11        | 5269330    | Holder, Meter                  |
| 12        | 4300610, 1 | SIGNAL Meter                   |
| 13        | 4300600, 1 | TUNE Meter                     |
| 14        | 7726060    | Meter Lamp Unit                |
| 15        | 0420040    | Fuse Type Lamp (7V 300mA)      |
| 16        | 5166460    | Washer Head Tapping Screw, 3×8 |

| Parts No. | Stock No. | Description                                       |
|-----------|-----------|---|
| 17        | 5166460   | Washer Head Tapping Screw, 3×8                    |
| 18        | 0400310   | Lead Type Lamp (7V 100mA),<br>FM STEREO INDICATOR |
| 19        | 0400340   | Lead Type Lamp (7V 100mA), HALL                   |
| 20        | 0400340   | Lead Type Lamp (7V 100mA), SURROUND               |
| 21        | 0400340   | Lead Type Lamp (7V 100mA), QS                     |
| 22        | 0400340   | Lead Type Lamp (7V 100mV), ※ SQ                   |
| 23        | 0400390   | Lead Type Lamp (6V 30mA), CD-4                    |
| 24        | 5066211   | Illuminator Box                                   |
| 26        | 5109122   | Binding Head Tapping Screw, 3×8                   |
| 27        | 5109122   | Binding Head Tapping Screw, 3×8                   |
| 28        | 5266812   | Holder, digital indicator                         |
| 29        | 7726110   | Digital Indicator                                 |
| 30        | 5109122   | Binding Head Tapping Screw, 3×8                   |
| 31        | 5109122   | Binding Head Tapping Screw, 3×8                   |
| 32        | 5286030   | Holder, Driver Circuit Board                      |
| 33        | 6146651   | Dial Pulley (D44φ)                                |

# 7. SCHEMATIC DIAGRAM OF TUNER SECTION



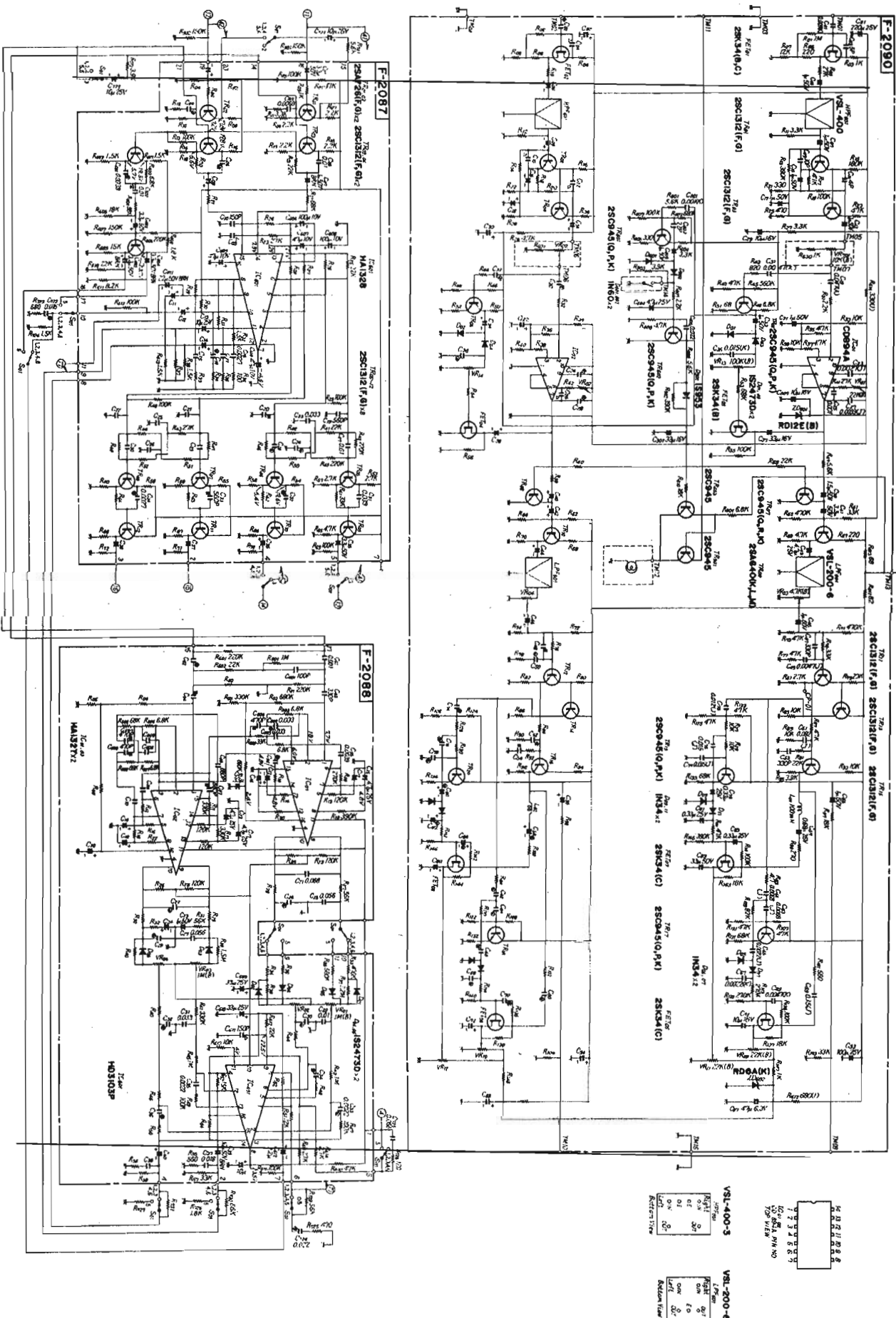
# 8. SCHEMATIC DIAGRAM OF AUDIO SECTION



\* Design and specifications subject to change without notice for improvements.

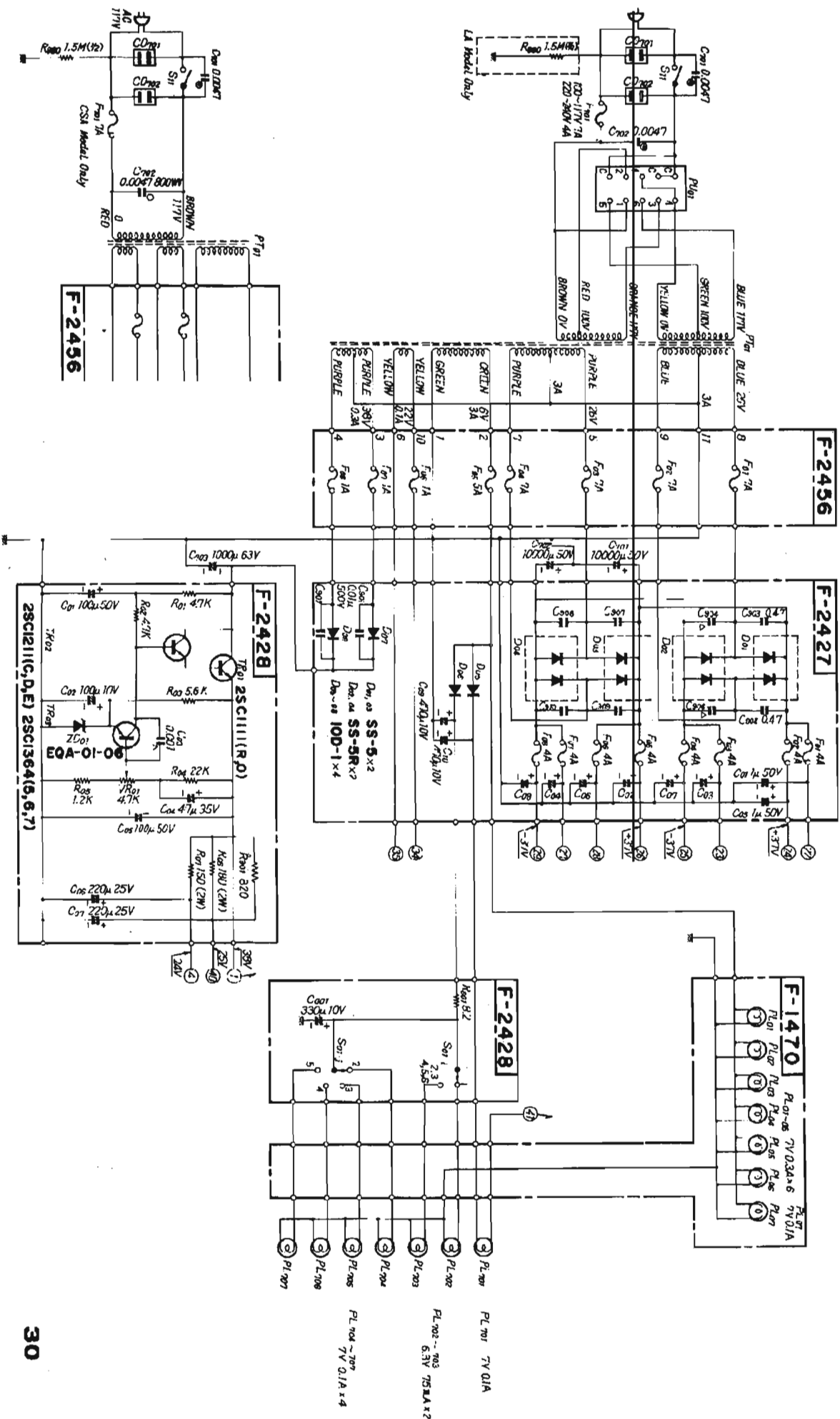
# 9. SCHEMATIC DIAGRAM OF 4-CH SECTION

Design and specifications subject to change without notice for improvements.



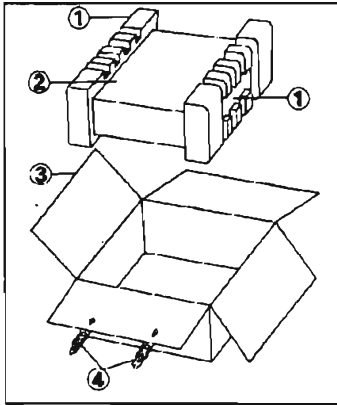


# 10. SCHEMATIC DIAGRAM OF POWER SUPPLY SECTION



## 11. PACKING LIST

| Parts No. | Stock No. | Description       |
|-----------|-----------|-------------------|
| 1         | 9027831   | Stylofoam Packing |
| 2         | 9116631   | Vinyl Cover       |
| 3         | 9008170   | Carton Case       |
| 4         | 5996080   | Curl Stopper      |



## 12. ACCESSORY PARTS LIST

| Stock No. | Description                 |
|-----------|-----------------------------|
| 3820091   | FM Antenna                  |
| 0433630   | 4A 250V Quick Acting Fuse   |
| 9208400   | Operating Instructions      |
| 9228400   | Operating Instruction Sheet |
| 9416010   | CD-4 Adjustment Record      |



SANSUI ELECTRIC CO., LTD.

14-1, 2-chome, Izumi, Suginami-ku, Tokyo 168, Japan  
TELEPHONE: (03) 323-1111/TELEX: 232-2076